

filtration  
systems

**FILTMASTER**





# 00 Index

01 General characteristics

02 Manual filters

03 Automatic filters

04 Installation guide and applications

05 Dimensions and filter selection

06 Spare parts and accessories





01

General characteristics



# General characteristics



Filtmaster

## The system



The most efficient, versatile & profitable filtration tool.

- Efficiency: The application of the most advanced technology results in a higher level of filtration performance.
- Versatility: The wide modular capacity of its components allows its perfect use for any kind of water in both agricultural and industrial fields.
- Profitability: The design of its components optimizes the cleaning process with lower energetic costs.

## 3/4", 1", 1 1/4" and 1 1/2" filters

For low flow filtration (up to 15m<sup>3</sup>/h).



## 2", 3" and 4" filters



## Filtration elements

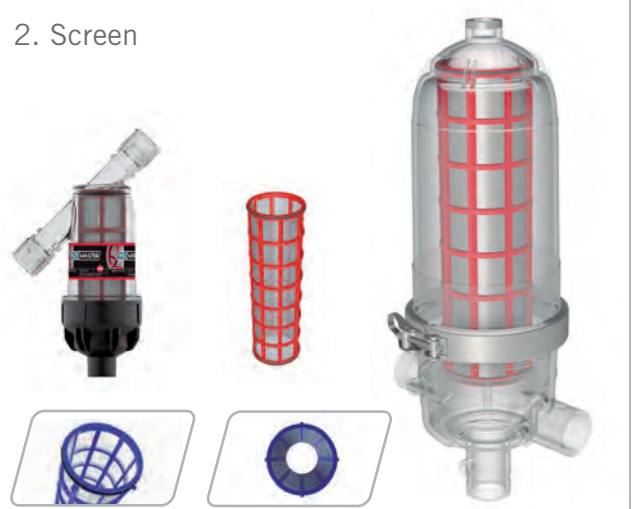
### 1. Discs



Polypropilene discs designed for keeping a regular filtration path along the double face grooved discs.

Available in 20, 25, 50, 100, 130 and 200 microns.

### 2. Screen



AISI 304 stainless steel screen or plastic PP screen in polypropylene frame.

Available in 100 and 130 micron for low flow manual filters.

Available in 100, 130 and 200 for big flow manual filters.





02

Manual filters





# Manual filters

Filtmaster



## 3/4", 1", 1 1/4" and 1 1/2" filters



### Stainless steel screen filter

X-345 blue 100 microns		X-346 red 130 microns				
Code	Code	Size	Connection	Q/	n°	
91052	91060	3/4"	BSP	10	A-11	
91053	91061	1"	BSP	10	A-11	
91054	91062	1 1/4"	BSP	5	A-9	
91055	91063	1 1/2"	BSP	5	A-9	
91056	91064	3/4"	NPT	10	A-11	
91057	91065	1"	NPT	10	A-11	
91058	91066	1 1/4"	NPT	5	A-9	
91059	91067	1 1/2"	NPT	5	A-9	

### PP screen filter

X-345 blue 100 microns		X-346 red 130 microns				
Code	Code	Size	Connection	Q/	n°	
191052	191060	3/4"	BSP	10	A-11	
191053	191061	1"	BSP	10	A-11	
191054	191062	1 1/4"	BSP	5	A-9	
191055	191063	1 1/2"	BSP	5	A-9	
191056	191064	3/4"	NPT	10	A-11	
191057	191065	1"	NPT	10	A-11	
191058	191066	1 1/4"	NPT	5	A-9	
191059	191067	1 1/2"	NPT	5	A-9	



### Disc filter

X-347 blue 100 microns		X-348 red 130 microns				
Code	Code	Size	Connection	Q/	n°	
91068	91076	3/4"	BSP	10	A-11	
91069	91077	1"	BSP	10	A-11	
91070	91078	1 1/4"	BSP	5	A-9	
91071	91079	1 1/2"	BSP	5	A-9	
91072	91080	3/4"	NPT	10	A-11	
91073	91081	1"	NPT	10	A-11	
91074	91082	1 1/4"	NPT	5	A-9	
91075	91083	1 1/2"	NPT	5	A-9	



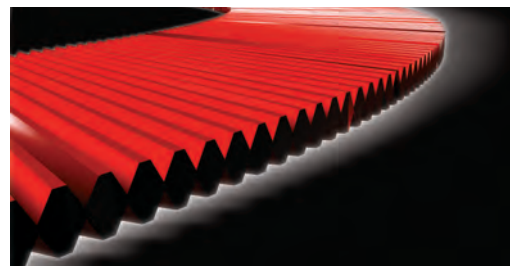
### Anti-algae discs filter

X-347 red 130 microns					
Code	Size	Connection	Q/	n°	
91096	3/4"	BSP	10	A-11	
91097	1"	BSP	10	A-11	

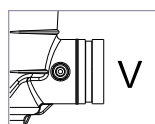
## Manual filters with stainless steel clamp

The design of the JIMTEN disc guarantees a real filtration degree all through the filtration process.

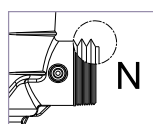
- Longer clogging time.
- Lower frequency of cleaning cycles.
- Lower head loss.
- Lower energy cost in pumping equipments.



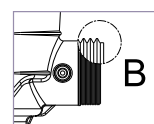
### Connections



Grooved connection.



NPT thread.



BSP thread.



### 2" standard disc filter

X-354 violet 20 microns	X-355 green 50 microns	X-356 blue 100 microns	X-357 red 130 microns	X-358 yellow 200 microns			
Code	Code	Code	Code	Code	Connection	Q/	n°
97814	97815	97816	97817	97818	BBB	1	4256
97819	97820	97821	97822	97823	NNN	1	4256



### 2" disc filter

X-299 violet 20 microns	X-202 green 50 microns	X-200 blue 100 microns	X-201 red 130 microns	X-203 yellow 200 microns			
Code	Code	Code	Code	Code	Connection	Q/	n°
97029	97015	97001	97008	97022	BBB	1	4140
97030	97016	97002	97009	97023	VVB	1	4140
97031	97017	97003	97010	97024	VBV	1	4140
97032	97018	97004	97011	97025	NNN	1	4140
97033	97019	97005	97012	97026	VVN	1	4140
97034	97020	97006	97013	97027	VNV	1	4140

# Manual filters

Filtmaster



## Manual filters with stainless steel clamp



### 2" long disc filter

X-300 violet 20 microns	X-214 green 50 microns	X-212 blue 100 microns	X-213 red 130 microns	X-215 yellow 200 microns			
Code	Code	Code	Code	Code	Connection	Q/	n°
97113	97099	97085	97092	97106	BBB	1	4139
97114	97100	97086	97093	97107	VVB	1	4139
97115	97101	97087	97094	97108	VBV	1	4139
97116	97102	97088	97095	97109	NNN	1	4139
97117	97103	97089	97096	97110	VVN	1	4139
97118	97104	97090	97097	97111	VNV	1	4139



### 3" disc filter

X-301 violet 20 microns	X-238 green 50 microns	X-236 blue 100 microns	X-237 red 130 microns	X-239 yellow 200 microns			
Code	Code	Code	Code	Code	Connection	Q/	n°
97281	97267	97253	97260	97274	BBB	1	4139
97282	97268	97254	97261	97275	VVB	1	4139
97283	97269	97255	97262	97276	VBV	1	4139
97284	97270	97256	97263	97277	NNN	1	4139
97285	97271	97257	97264	97278	VVN	1	4139
97286	97272	97258	97265	97279	VNV	1	4139



### 2" screen filter (S cartridge)

violet 20 microns	green 50 microns	X-206 blue 100 microns	X-207 red 130 microns	yellow 200 microns			
Code	Code	Code	Code	Code	Connection	Q/	n°
-	-	97043	97050	-	BBB	1	4256
-	-	97044	97051	-	VVB	1	4256
-	-	97045	97052	-	VBV	1	4256
-	-	97046	97053	-	NNN	1	4256
-	-	97047	97054	-	VVN	1	4256
-	-	97048	97055	-	VNV	1	4256



### 2" long screen filter (M cartridge)

violet 20 microns	green 50 microns	X-218 blue 100 microns	X-219 red 130 microns	X-220 yellow 200 microns			
Code	Code	Code	Code	Code	Connection	Q/	n°
-	-	97127	97134	97141	BBB	1	4140
-	-	97128	97135	97142	VVB	1	4140
-	-	97129	97136	97143	VBV	1	4140
-	-	97130	97137	97144	NNN	1	4140
-	-	97131	97138	97145	VVN	1	4140
-	-	97132	97139	97146	VNV	1	4140



## Manual filters with stainless steel clamp



### 3" screen filter (M cartridge)

violet 20 microns	green 50 microns	X-242 blue 100 microns	X-243 red 130 microns	X-244 yellow 200 microns			
Code	Code	Code	Code	Code	Connection	Q/	n°
-	-	97295	97302	97309	BBB	1	4140
-	-	97296	97303	97310	VVB	1	4140
-	-	97297	97304	97311	VBV	1	4140
-	-	97298	97305	97312	NNN	1	4140
-	-	97299	97306	97313	VVN	1	4140
-	-	97300	97307	97314	VNV	1	4140

## Double body manual filters with stainless steel clamp



### 3" double body disc filter

X-309 violet 20 microns	X-310 green 50 microns	X-311 blue 100 microns	X-312 red 130 microns	X-313 yellow 200 microns			
Code	Code	Code	Code	Code	Connection	Q/	n°
97636	97637	97638	97639	97640	BB	1	4163
97641	97642	97643	97644	97645	VV	1	4163
97656	97657	97658	97659	97660	NN	1	4163



### 4" double body disc filter

X-314 violet 20 microns	X-315 green 50 microns	X-316 blue 100 microns	X-317 red 130 microns	X-318 yellow 200 microns			
Code	Code	Code	Code	Code	Connection	Q/	n°
97646	97647	97648	97649	97650	BB	1	4163
97651	97652	97653	97654	97655	VV	1	4163
97661	97662	97663	97664	97665	NN	1	4163



### 3" compact double body disc filter

X-381 violet 20 microns	X-382 green 50 microns	X-383 blue 100 microns	X-384 red 130 microns	X-385 yellow 200 microns			
Code	Code	Code	Code	Code	Connection	Q/	n°
97930	97931	97932	97933	97934	BB	1	4969
97935	97936	97937	97938	97939	VV	1	4969
97950	97951	97952	97953	97954	NN	1	4969

# Manual filters

Filtmaster



## Double body manual filters with stainless steel clamp



### 4" compact double body disc filter

X-386 violet 20 microns	X-387 green 50 microns	X-388 blue 100 microns	X-389 red 130 microns	X-390 yellow 200 microns			
Code	Code	Code	Code	Code	Connection	Q/	n°
97940	97941	97942	97943	97944	BB	1	4969
97945	97946	97947	97948	97949	VV	1	4969
97955	97956	97957	97958	97959	NN	1	4969



### 3" super compact double body disc filter.

X-401 violet 20 microns	X-402 green 50 microns	X-403 blue 100 microns	X-404 red 130 microns	X-405 yellow 200 microns			
Code	Code	Code	Code	Code	Connection	Q/	n°
97960	97961	97962	97963	97964	BB	1	4969
97965	97966	97967	97968	97969	VV	1	4969
97980	97981	97982	97983	97984	NN	1	4969



### 4" super compact double body disc filter.

X-406 violet 20 microns	X-407 green 50 microns	X-408 blue 100 microns	X-409 red 130 microns	X-410 yellow 200 microns			
Code	Code	Code	Code	Code	Connection	Q/	n°
97970	97971	97972	97973	97974	BB	1	4969
97975	97976	97977	97978	97979	VV	1	4969
97985	97986	97987	97988	97989	NN	1	4969

## Manual filters with PAFV\* clamp



- Adjustable clamp for opening or closing without using any tool.
- Reinforced design that guarantees working pressure up to PN10. Made in resistant material to UV rays. Suitable for C4 atmospheric corrosion environments.
- With anti-vandal safety ring.
- Thanks to its modular conception, this clamp can be assembled in any filter of our FILTMASTER range.



\*PAFV (Polyamide reinforced with glassfiber).

## Manual filters with PAFV clamp



2" standard disc filter.

X-349 violet 20 microns	X-350 green 50 microns	X-351 blue 100 microns	X-352 red 130 microns	X-353 yellow 200 microns			
Code	Code	Code	Code	Code	Connection	Q/☐	n° ☐
97804	97805	97806	97807	97808	BBB	1	4256
97809	97810	97811	97812	97813	NNN	1	4256



2" disc filter.

X-329 violet 20 microns	X-330 green 50 microns	X-331 blue 100 microns	X-332 red 130 microns	X-333 yellow 200 microns			
Code	Code	Code	Code	Code	Connection	Q/☐	n° ☐
97669	97675	97681	97687	97693	BBB	1	4140
97670	97676	97682	97688	97694	VVB	1	4140
97671	97677	97683	97689	97695	VBV	1	4140
97672	97678	97684	97690	97696	NNN	1	4140
97673	97679	97685	97691	97697	VVN	1	4140
97674	97680	97686	97692	97698	VNV	1	4140



2" long disc filter.

X-334 violet 20 microns	X-335 green 50 microns	X-336 blue 100 microns	X-337 red 130 microns	X-338 yellow 200 microns			
Code	Code	Code	Code	Code	Connection	Q/☐	n° ☐
97699	97705	97711	97717	97723	BBB	1	4139
97700	97706	97712	97718	97724	VVB	1	4139
97701	97707	97713	97719	97725	VBV	1	4139
97702	97708	97714	97720	97726	NNN	1	4139
97703	97709	97715	97721	97727	VVN	1	4139
97704	97710	97716	97722	97728	VNV	1	4139



3" disc filter.

X-339 violet 20 microns	X-340 green 50 microns	X-341 blue 100 microns	X-342 red 130 microns	X-343 yellow 200 microns			
Code	Code	Code	Code	Code	Connection	Q/☐	n° ☐
97729	97735	97741	97747	97753	BBB	1	4139
97730	97736	97742	97748	97754	VVB	1	4139
97731	97737	97743	97749	97755	VBV	1	4139
97732	97738	97744	97750	97756	NNN	1	4139
97733	97739	97745	97751	97757	VVN	1	4139
97734	97740	97746	97752	97758	VNV	1	4139

# Manual filters

Filtmaster

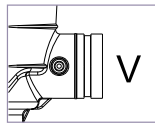
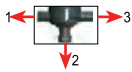


## Hydrocyclonic manual filters with stainless steel clamp

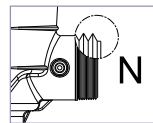


- The hydrocyclonic crown forces the decantation of suspended solid particles in water towards the drainage outlet thanks to centrifugal action and gravity.
- The design of the hydrocyclonic crown is optimized to get the minimum head loss and optimal hydraulic performance.
- Hydrocyclonic filters reduce the frequency of cleaning as they keep away the heaviest particles from discs.
- Assembled in automatic and manual backwash filtration stations.
- 1" female drainage outlet.

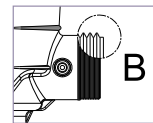
### Connections



Grooved connection.



NPT thread.



BSP thread.



### 2" standard hydrocyclonic disc filter

X-258 violet 20 microns	X-259 green 50 microns	X-260 blue 100 microns	X-261 red 130 microns	X-262 yellow 200 microns			
Code	Code	Code	Code	Code	Connection	Q/	n°
97454	97475	97461	97468	97447	BBB	1	4256
97455	97476	97462	97469	97448	VVB	1	4256
97456	97477	97463	97470	97449	VBV	1	4256
97457	97478	97464	97471	97450	NNN	1	4256
97458	97479	97465	97472	97451	VVN	1	4256
97459	97480	97466	97473	97452	VNV	1	4256



### 2" hydrocyclonic disc filter

X-302 violet 20 microns	X-250 green 50 microns	X-248 blue 100 microns	X-249 red 130 microns	X-251 yellow 200 microns			
Code	Code	Code	Code	Code	Connection	Q/	n°
97383	97369	97355	97362	97376	BBB	1	4140
97384	97370	97356	97363	97377	VVB	1	4140
97385	97371	97357	97364	97378	VBV	1	4140
97386	97372	97358	97365	97379	NNN	1	4140
97387	97373	97359	97366	97380	VVN	1	4140
97388	97374	97360	97367	97381	VNV	1	4140

## Hydrocyclonic manual filters with stainless steel clamp



2" long hydrocyclonic disc filter

X-303 violet 20 microns	X-256 green 50 microns	X-254 blue 100 microns	X-255 red 130 microns	X-257 yellow 200 microns			
Code	Code	Code	Code	Code	Connection	Q/	n°
97425	97411	97397	97404	97418	BBB	1	4139
97426	97412	97398	97405	97419	VVB	1	4139
97427	97413	97399	97406	97420	VBV	1	4139
97428	97414	97400	97407	97421	NNN	1	4139
97429	97415	97401	97408	97422	VVN	1	4139
97430	97416	97402	97409	97423	VNV	1	4139



3" hydrocyclonic disc filter

X-304 violet 20 microns	X-268 green 50 microns	X-266 blue 100 microns	X-267 red 130 microns	X-269 yellow 200 microns			
Code	Code	Code	Code	Code	Connection	Q/	n°
97509	97495	97481	97488	97502	BBB	1	4139
97510	97496	97482	97489	97503	VVB	1	4139
97511	97497	97483	97490	97504	VBV	1	4139
97512	97498	97484	97491	97505	NNN	1	4139
97513	97499	97485	97492	97506	VVN	1	4139
97514	97500	97486	97493	97507	VNV	1	4139

## Hydrocyclonic double body manual filters with stainless steel clamp



3" compact hydrocyclonic double body disc filter

X-391 violet 20 microns	X-392 green 50 microns	X-393 blue 100 microns	X-394 red 130 microns	X-395 yellow 200 microns			
Code	Code	Code	Code	Code	Connection	Q/	n°
97900	97901	97902	97903	97904	BB	1	4969
97905	97906	97907	97908	97909	VV	1	4969
97920	97921	97922	97923	97924	NN	1	4969



4" compact hydrocyclonic double body disc filter

X-396 violet 20 microns	X-397 green 50 microns	X-398 blue 100 microns	X-399 red 130 microns	X-400 yellow 200 microns			
Code	Code	Code	Code	Code	Connection	Q/	n°
97910	97911	97912	97913	97914	BB	1	4969
97915	97916	97917	97918	97919	VV	1	4969
97925	97926	97927	97928	97929	NN	1	4969



# Manual filters

Filtmaster



## Hydrocyclonic manual filters with PAFV clamp



2" standard hydrocyclonic disc filter.

X-421 violet 20 microns	X-422 green 50 microns	X-423 blue 100 microns	X-424 red 130 microns	X-425 yellow 200 microns			
Code	Code	Code	Code	Code	Connection	Q/	n°
97990	97991	97992	97993	97994	BBB	1	4256
97880	97881	97882	97883	97884	NNN	1	4256



2" hydrocyclonic disc filter.

X-431 violet 20 microns	X-432 green 50 microns	X-433 blue 100 microns	X-434 red 130 microns	X-435 yellow 200 microns			
Code	Code	Code	Code	Code	Connection	Q/	n°
97190	97191	97192	97193	97194	BBB	1	4140
97885	97886	97887	97888	97889	NNN	1	4140



2" long hydrocyclonic disc filter.

X-436 violet 20 microns	X-437 green 50 microns	X-438 blue 100 microns	X-439 red 130 microns	X-440 yellow 200 microns			
Code	Code	Code	Code	Code	Connection	Q/	n°
97195	97196	97197	97198	97199	BBB	1	4139
97185	97186	97187	97188	97189	NNN	1	4139



3" hydrocyclonic disc filter.

X-426 violet 20 microns	X-427 green 50 microns	X-428 blue 100 microns	X-429 red 130 microns	X-430 yellow 200 microns			
Code	Code	Code	Code	Code	Connection	Q/	n°
97995	97996	97997	97998	97999	BBB	1	4139
97892	97893	97894	97895	97896	NNN	1	4139

## Hydrocyclonic double body manual filters with PAFV clamp



3" hydrocyclonic double body disc filter

X-411 violet 20 microns	X-412 green 50 microns	X-413 blue 100 microns	X-414 red 130 microns	X-415 yellow 200 microns			
Code	Code	Code	Code	Code	Connection	Q/	n°
97844	97845	97846	97847	97848	BB	1	4163
97849	97850	97851	97852	97853	VV	1	4163
97864	97865	97866	97867	97868	NN	1	4163



4" hydrocyclonic double body disc filter

X-416 violet 20 microns	X-417 green 50 microns	X-418 blue 100 microns	X-419 red 130 microns	X-420 yellow 200 microns			
Code	Code	Code	Code	Code	Connection	Q/	n°
97854	97855	97856	97/857	97858	BB	1	4163
97859	97860	97861	97862	97863	VV	1	4163
97869	97870	97871	97872	97873	NN	1	4163

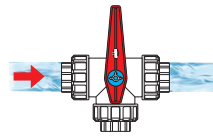


# Manual filters

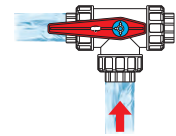
Filtmaster



## 2" manual backwash filtration stations



Backwash



Filtration

2" manual backwash filtration stations (HDPE manifolds).

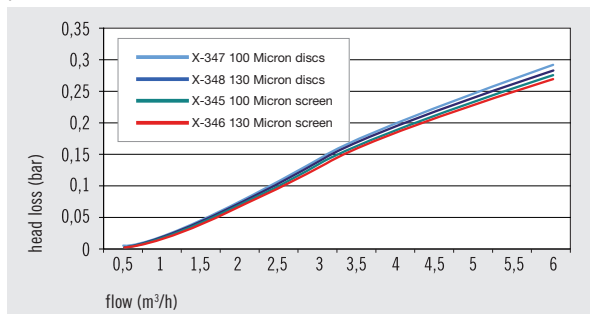
violet 20 microns	green 50 microns	blue 100 microns	red 130 microns	yellow 200 microns	
Code	Code	Code	Code	Code	Filters
298965	298970	298975	298980	298985	2
298966	298971	298976	298981	298986	3
298967	298972	298977	298982	298987	4
298968	298973	298978	298983	298988	5
298969	298974	298979	298984	298989	6

\* 1" triple effect air valves included.

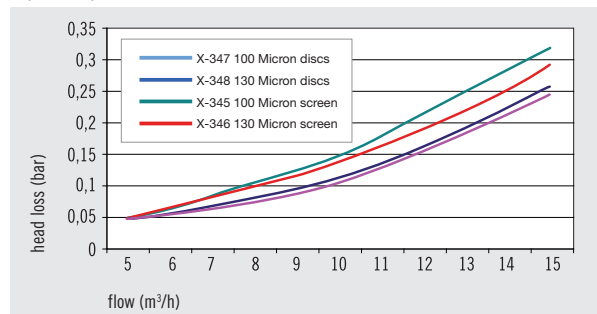
\* Hydrocyclonic manual disc cartridges included.

## Manual filters head loss charts

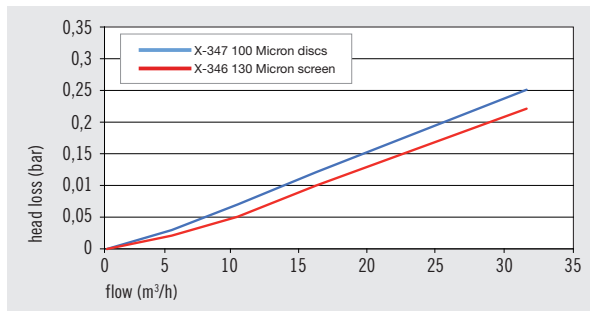
¾" - 1"



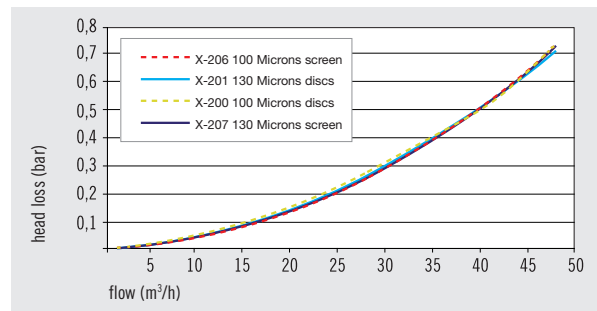
1¼" - 1½"



2" standard



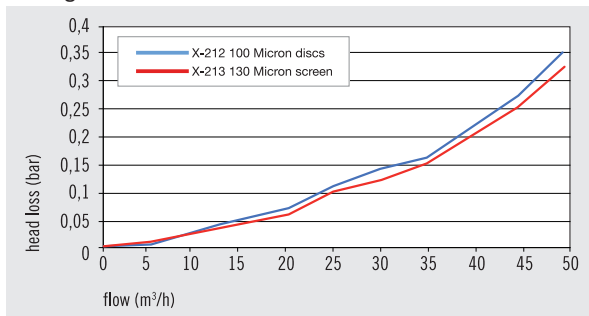
2"



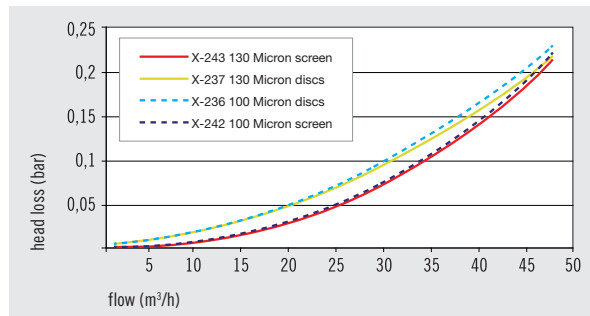


# Manual filters head loss charts

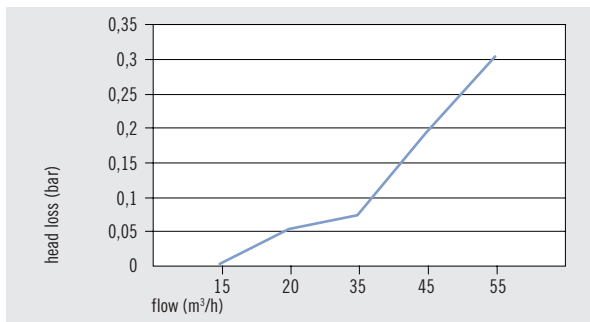
2" long



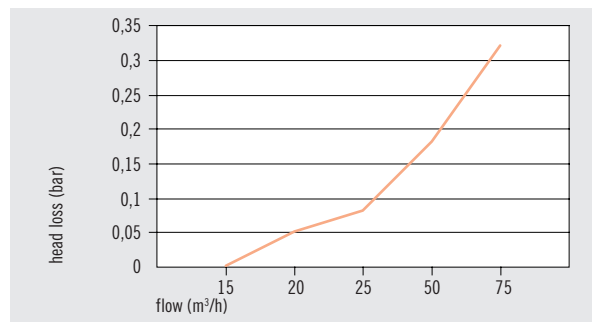
3"



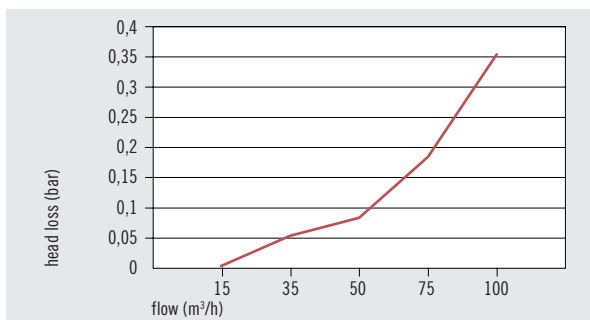
3" supercompact double body



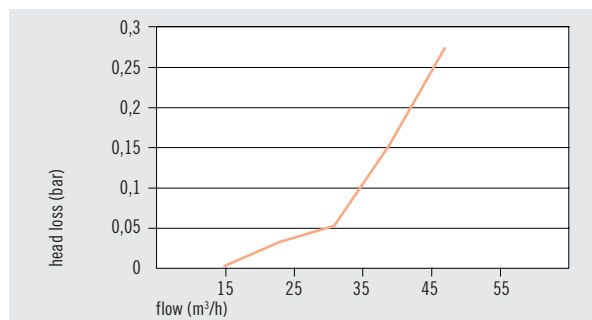
3" compact double body



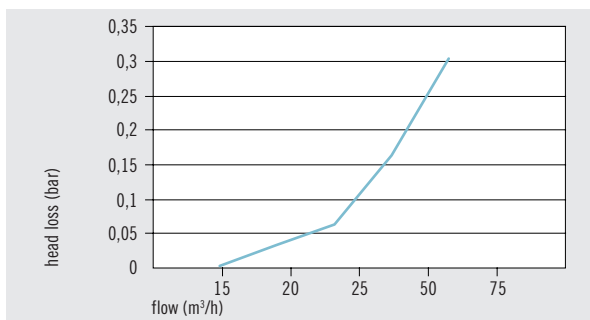
3" double body



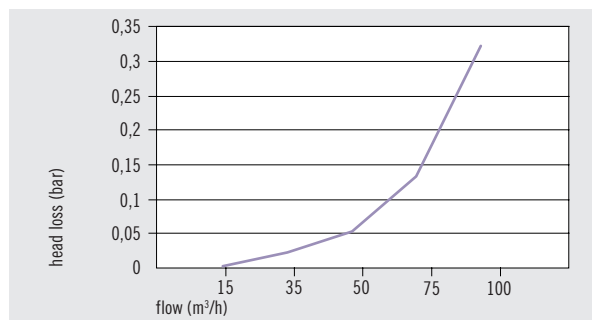
4" supercompact double body



4" compact double body



4" double body







03

Automatic filters





# Automatic filters

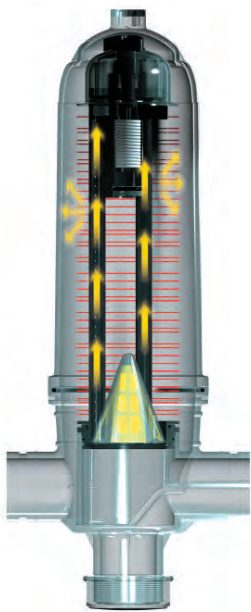
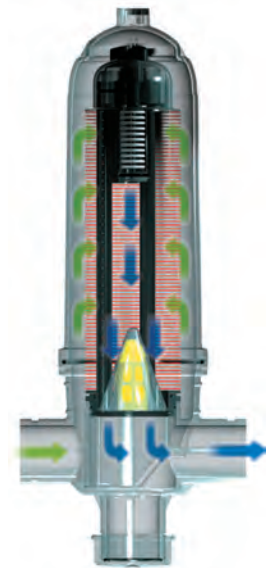
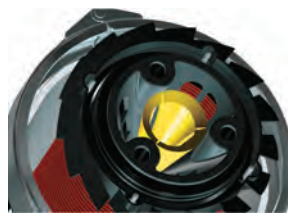
Filtmaster



## Working principles

### In filtration position

1. The piston compresses the disc cartridge.
2. The conical flexible non-return membrane remains open, allowing filtered water to go to the network.



### In cleaning position

1. The backwash valve inverts clean water flow into the filter, closing the conical flexible non-return membrane. This forces clean water through the three spine manifolds that spray out tangentially the dirtiness from the discs.
2. At the same time, the upper piston is compressed by incoming pressure through the spine manifolds, releasing the discs that spin in a centrifugal movement at high speed.





### 2" automatic disc filter

X-305 sky blue 25 microns	X-274 green 50 microns	X-272 blue 100 microns	X-273 red 130 microns	X-275 yellow 200 microns			
Code	Code	Code	Code	Code	Connection	Q/⊠	n°⊠
98529	98515	98501	98508	98522	BBB	1	4139
98530	98516	98502	98509	98523	VVB	1	4139
98531	98517	98503	98510	98524	VBV	1	4139
98532	98518	98504	98511	98525	NNN	1	4139
98533	98519	98505	98512	98526	VVN	1	4139
98534	98520	98506	98513	98527	VNV	1	4139



### 3" automatic disc filter

X-306 sky blue 25 microns	X-280 green 50 microns	X-278 blue 100 microns	X-279 red 130 microns	X-281 yellow 200 microns			
Code	Code	Code	Code	Code	Connection	Q/⊠	n°⊠
98571	98557	98543	98550	98564	BBB	1	4139
98572	98558	98544	98551	98565	VVB	1	4139
98573	98559	98545	98552	98566	VBV	1	4139
98574	98560	98546	98553	98567	NNN	1	4139
98575	98561	98547	98554	98568	VVN	1	4139
98576	98562	98548	98555	98569	VNV	1	4139



### 3" double body automatic disc filter

X-319 sky blue 25 microns	X-320 green 50 microns	X-321 blue 100 microns	X-322 red 130 microns	X-323 yellow 200 microns			
Code	Code	Code	Code	Code	Connection	Q/⊠	n°⊠
98819	98820	98821	98822	98823	VV	1	4163



### 4" double body automatic disc filter

X-324 sky blue 25 microns	X-325 green 50 microns	X-326 blue 100 microns	X-327 red 130 microns	X-328 yellow 200 microns			
Code	Code	Code	Code	Code	Connection	Q/⊠	n°⊠
98824	98825	98826	98827	98828	VV	1	4163

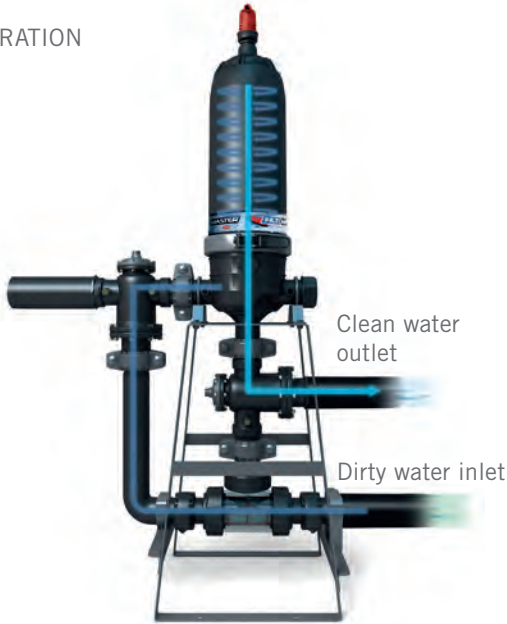
# Automatic filtration stations



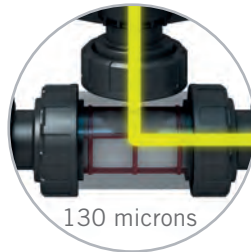
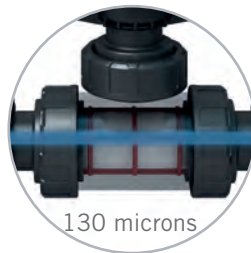
Filtmaster

## 2" MasterONE automatic filtration station

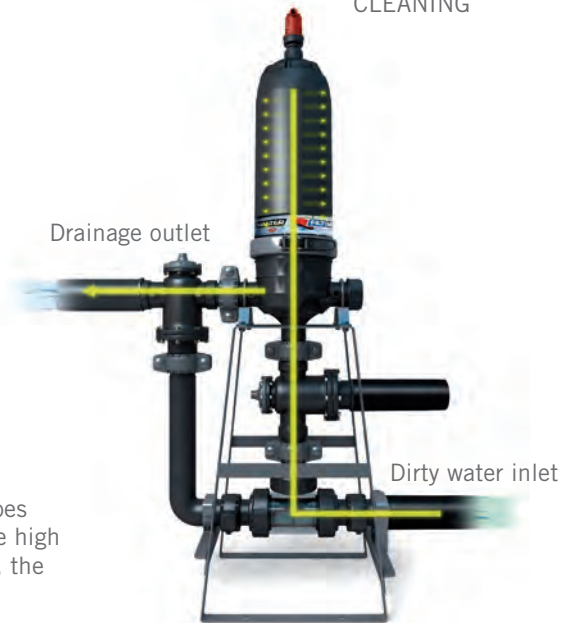
### FILTRATION



During filtration the MasterONE unit works like a standard disc filter. Incoming water goes along the lower T cleaning the screen cartridge.



### CLEANING



During the cleaning stage the MasterOne unit works by reversing the flow which goes through the screen in the T, providing clean water. The process continues with the high speed centrifugal release of the discs in the cartridge. To guarantee the backwash, the MasterONE requires a minimum inlet pressure of 2,5 bar.

## Range



With stainless steel support



Without stainless steel support

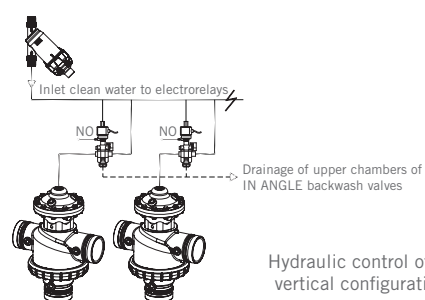
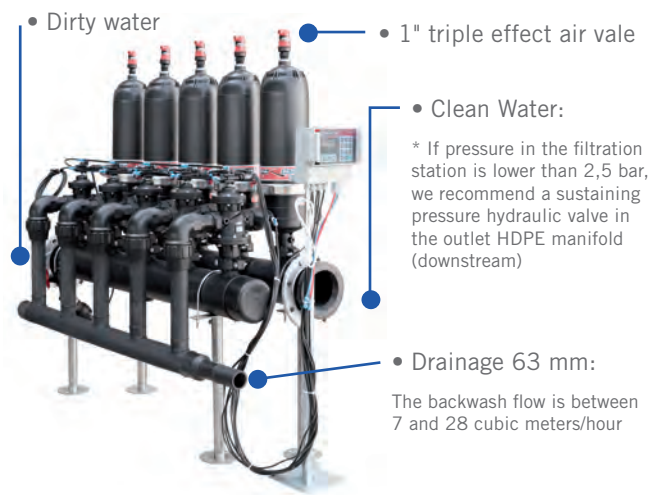


### 2" MasterONE automatic filtration station

	sky blue 25 microns	green 50 microns	blue 100 microns	red 130 microns	yellow 200 microns	filters
With support	Code 98956	Code 98957	Code 98958	Code 98959	Code 98960	1
Without support	Code 98951	Code 98952	Code 98953	Code 98950	Code 98954	1

## Single body automatic filtration stations

### Installation recommendations



## Single body automatic filtration stations (vertical configuration)



### 2" single body automatic filtration stations

sky blue 25 microns	green 50 microns	blue 100 microns	red 130 microns	yellow 200 microns		
Code	Code	Code	Code	Code	filters	m <sup>3</sup> /h max.
298620	298600	298605	298610	298615	2	66
298621	298601	298606	298611	298616	3	98
298622	298602	298607	298612	298617	4	131
298623	298603	298608	298613	298618	5	164
298624	298604	298609	298614	298619	6	197



### 3" single body automatic filtration stations

sky blue 25 microns	green 50 microns	blue 100 microns	red 130 microns	yellow 200 microns		
Code	Code	Code	Code	Code	filters	m <sup>3</sup> /h max.
298806	298625	298630	298635	298640	2	75
298807	298626	298631	298636	298641	3	113
298808	298627	298632	298637	298642	4	151
298809	298628	298633	298638	298643	5	188
298810	298629	298634	298639	298644	6	226
			298920		8	301
			298922		10	377

# Automatic filtration stations



Filtmaster

## Double body automatic filtration stations

### Installation recommendations

- Dirty water
- 1" triple effect air valve
- Clean water:
  - \* If pressure in the filtration station is lower than 2,5 bar, we recommend a sustaining pressure hydraulic valve in the outlet HDPE manifold (downstream)
- Drainage 63 mm:
  - The backwash flow is between 7 and 28 cubic meters/hour

Hydraulic control of backwash valves in vertical configuration filtration stations

## Double body automatic filtration stations (vertical configuration)



### 3" double body automatic filtration stations

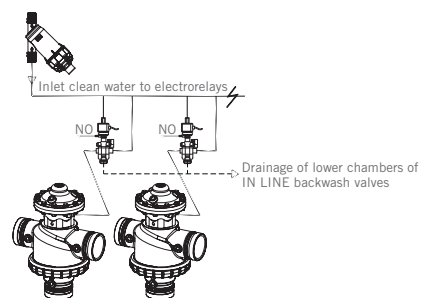
sky blue 25 microns	green 50 microns	blue 100 microns	red 130 microns	yellow 200 microns		
Code	Code	Code	Code	Code	filters	m <sup>3</sup> /h max.
98829	98830	98831	98832	98833	3	226
98834	98835	98836	98837	98838	4	301
98839	98840	98841	98842	98843	5	377
98844	98845	98846	98847	98848	6	452
98849	98850	98851	98852	98853	8 in parallel	603
			298921		8 in line	603
98854	98855	98856	98857	98858	10 in parallel	753



## Double body automatic filtration stations (horizontal configuration)



Hydraulic control of backwash valves in horizontal configuration filtration stations



### 3" double body automatic filtration stations

sky blue 25 microns	green 50 microns	blue 100 microns	red 130 microns	yellow 200 microns	filters	m <sup>3</sup> /h max.
Code	Code	Code	Code	Code		
98925	98926	98927	98928	98929	3	226
98930	98931	98932	98933	98934	4	301
98935	98936	98937	98938	98939	5	377
98940	98941	98942	98943	98944	6	452
98945	98946	98947	98948	98949	8	603





# 04

## Installation guide and applications





## Installation guide

To install a FILTMASTER filtration unit it is necessary to:

1. Install the filtration station on a flat, levelled and preferably covered surface.
2. Handle the filtration station carefully when removing the protective film, since the hydraulic command elements could be broken.
3. If any filter was displaced during the transport, you can place it again in the right position by loosening the FITMASTER connections.
4. Before the installation, check the following requirements:
  - Dimensioning: According to the net flow and water quality.
  - Minimum backwash pressure: 2,5 bar.
  - Minimum filtration pressure: 1 bar.
  - Minimum backwash flow: 8 m<sup>3</sup>/h for 2" backwash valves and 12 m<sup>3</sup>/h for 3" backwash valves.

## External elements

We recommend checking all external elements to the filtering station before the installation.



Pay attention to the electric generators because they can cause problems due to volatile tension. They could damage easily the electrical components of the filtration station.



Please ensure no vibrations coming from the engine are transmitted onto the filter.



Check that space is enough for future maintenance.



The hydraulic command drainage outlet must be free. We recommend that they are visible to verify their performance.



## Hydraulic connections

### Dirty water

No automatic hydraulic control valve should be installed at the entrance of the automatic filtration station because it could affect to working pressure conditions. If needed, we recommend installing a manual control valve.



### Clean water

We recommend the installation of a manual control valve in the outlet of the filtration station to make maintenance easier.



### Drainage

Drainage water coming out from the backwash hydraulic valves is collected in a common HDPE manifold.

The drainage must be at height 0. If installation requires a higher level, then the difference in meters translated to pressure units must be added to the minimum recommended backwash pressure (2,5 bar).

## How to order a FILTMASTER filtration station

According to the characteristics in your installation, it will be necessary to correctly dimension the unit as per flow rate, working pressure, quality of the water (please check chart at pages 51-52) and voltage.

Next to these lines we offer you a quick guide to help you choose the right reference number according to the various options available on filtration stations.

Please contact with our filtration technical department for any advice needed on dimensioning and selection of a filtration unit.

Controller	Drainage manifold	9VDC solenoid	24VAC solenoid	Basic filtration station
<b>P00 = no controller</b>	<b>3 = Yes; 0 = No</b>	<b>2 = Yes; 0 = No</b>	<b>1 = Yes; 0 = No</b>	
P00	3	0	1	98888
P24	3	0	1	98888
P09	3	2	0	98888
BAP60	3	0	1	98888
BAP00	3	0	1	98888

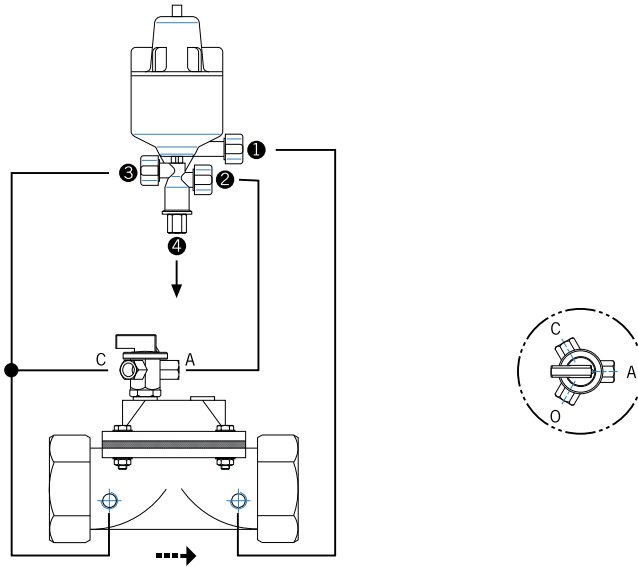
\* BAP60 = 110V/60Hz controller / (ANSI flange)

\* BAP00 = no controller / (ANSI flange)

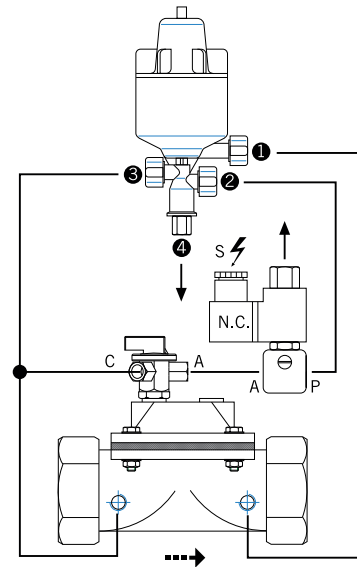


## Hydraulic sustaining pressure valve connection

HYDRAULIC CONNECTION

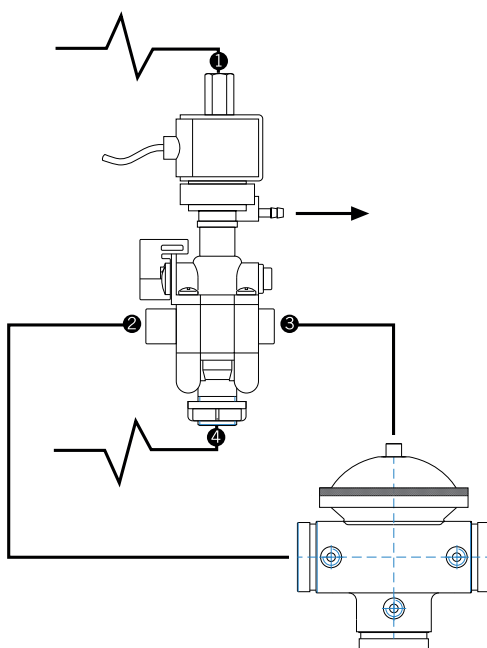


ELECTRO-HYDRAULIC CONNECTION

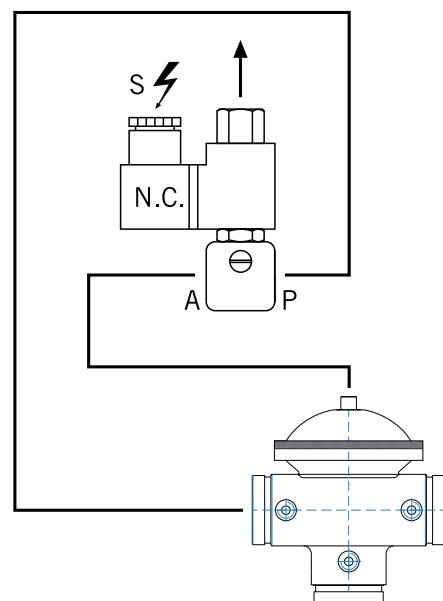


If pressure in the filtering station is lower than 2,5 bar, we recommend the installation of a sustaining pressure hydraulic valve in the outlet HDPE manifold (downstream).

## Backwash hydraulic valve connection

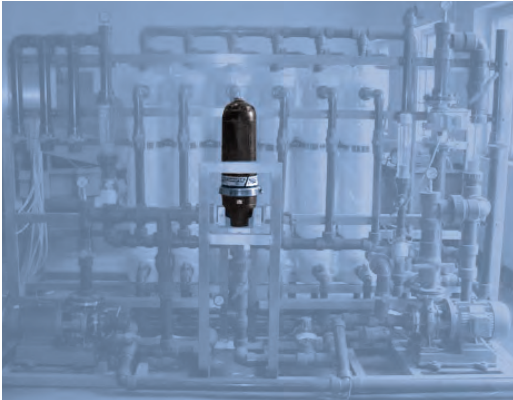


ELECTRIC CONNECTION



## Applications: Water Treatment in Industry

### Water Treatment Industry: Case 1



**Problem:**

Water used in sectors such as desalination, chemical, metal, textile or plastic industries needs a filtration of macro and micro particles prior to ultrafiltration, ultraviolet or reverse osmosis treatments in order to protect nozzles, membranes and heat exchangers.

**Solution:**

Installation of a 50 micron FILMASTER automatic filtration station or sequential micron decrease from 200 to 100 and finally to 50 microns.

### Water Treatment Industry: Case 2



**Problem:**

In the natural stone industry water contains mineral particles of important grading, this water is decanted and circulates again but this method is not effective enough as some suspended particles persist causing obstruction and wear of some pumping components.

**Solution:**

Installation of a battery of 5 FILMASTER 200 micron manual filters (80 m<sup>3</sup>/h).

### Water Treatment Industry: Case 3



**Problem:**

Protection of refrigeration systems. Water used in order to protect the refrigeration element sand keeping the working conditions without any alteration that may affect the final product uniformity.

**Solution:**

Installation of a sequential 200 and 100 micron bypassed FILMASTER filtration station.

# Installation guide and applications

Filtmaster



## Applications: Irrigation of green areas



### Problem:

The companies responsible for the maintenance of green areas and gardens face continuous problems with sprinkling systems when they get water from phreatic sources with high concentration of mineral particles that clog nozzles.

### Solution:

Installation of an automatic 2" FILTMASER filtration station for 40 m<sup>3</sup>/h.

## Applications: Golf courses



### Problem:

Normally in residential areas with golf course the water used come from ponds mixed with residual treated water. This water is the same used for the irrigation system of garden areas and holes. This water contains filamentous seaweed and high level of organic matter blocking the irrigation and spinkler systems.

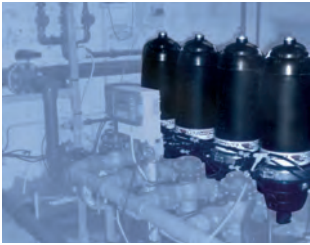
### Solution:

Installation of 130 micron FILTMASER automatic filtration stations for drip or sprinkler irrigation.





## Applications: Spas

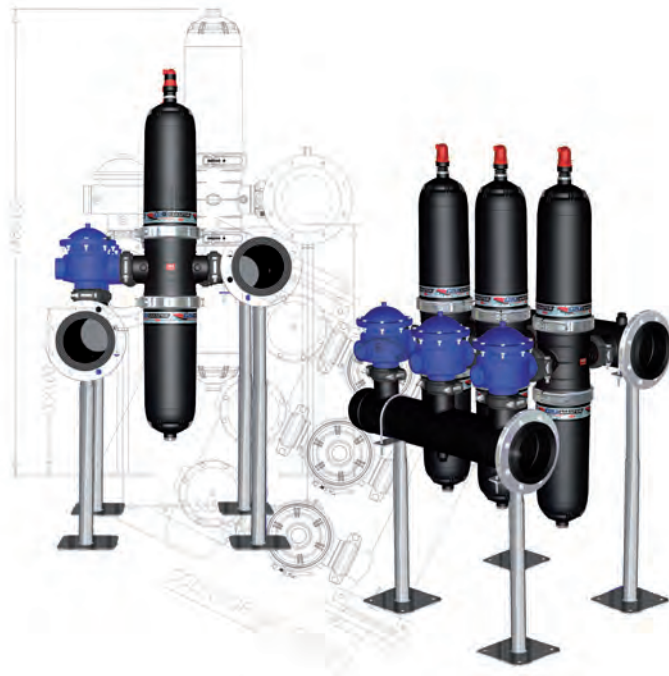


### Problem:

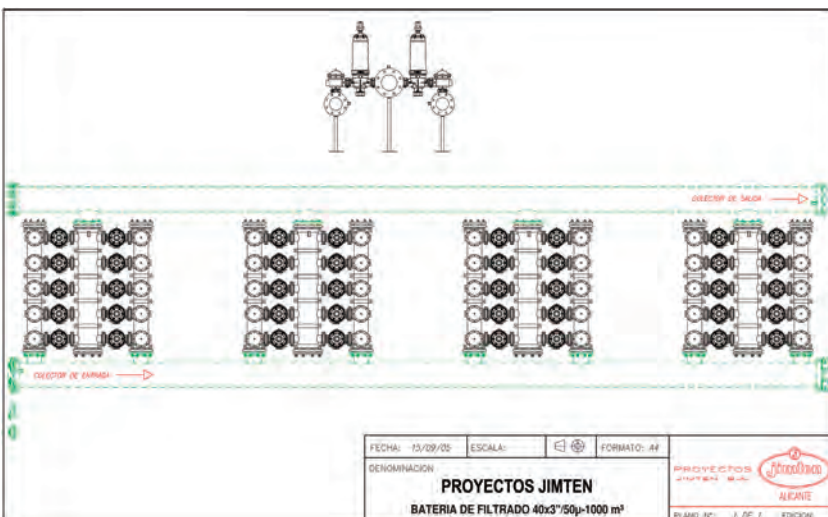
Most of the hydrotherapy installations do not comply with the minimum requirements as far as the water quality is concerned (total quantity of suspended solid).

### Solution:

Installation of 50/25 micron FILTMATER automatic filtration stations.



## Projects



Jimten offers you a technical assistance service for the installation of FILTMATER automatic filtration stations for any kind of water and flow.

Contact us at +34 965109044 and will answer your questions as soon as possible.



# 05

## Dimensions and filter selection





# Dimensions and filter selection



Filtmaster

## General dimensions

3/4", 1", 1 1/4" y 1 1/2" filters



BSP thread

Size	A	B	C	D	E	R1 - R2	R3	R4
3/4"	194,5	160	231	78	152	3/4" BSP	1/2" BSP	1/4"
1"	195,5	160	234	78	152	1" BSP	1/2" BSP	1/4"
1 1/4"	265	243	311	108,5	210	1 1/4" BSP	3/4" BSP	1/4"
1 1/2"	265	243	314	108,5	210	1 1/2" BSP	3/4" BSP	1/4"

(dimensions in mm)

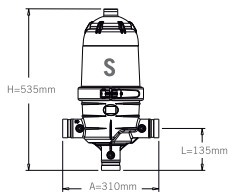
NPT thread

Size	A	B	C	D	E	R1 - R2	R3	R4
3/4"	197,5	164	233	78	152	3/4" NPT	1/2" NPT	1/4"
1"	202	174	239	78	152	1" NPT	1/2" NPT	1/4"
1 1/4"	267	246	312	108,5	210	1 1/4" NPT	3/4" NPT	1/4"
1 1/2"	267	246	314	108,5	210	1 1/2" NPT	3/4" NPT	1/4"

(dimensions in mm)

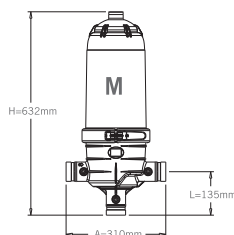
2" STD disc and 2" screen filter

4256



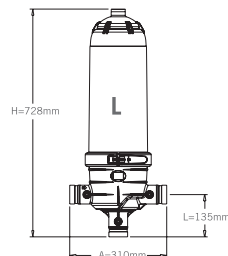
2" disc and 2" long screen filter

4140



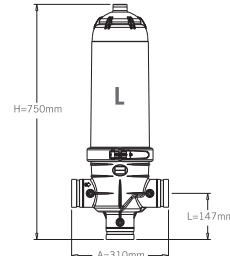
2" long disc filter

4139



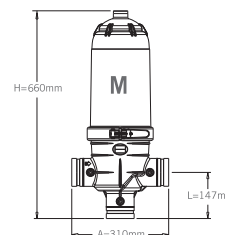
3" disc filter

4139



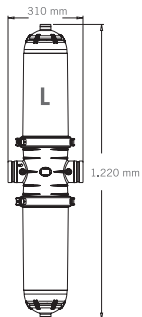
3" screen filter

4140



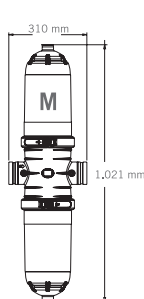
3" Double body

4163



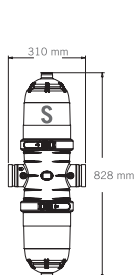
3" double body compact

4969



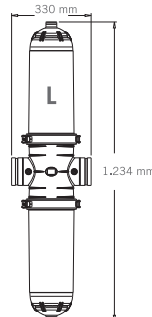
3" double body super compact

4969



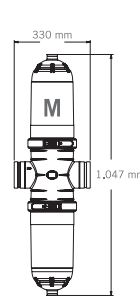
4" Double body

4163



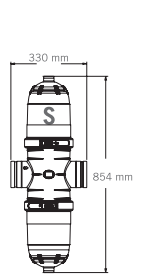
4" double body compact

4969

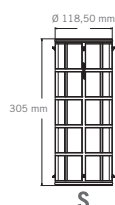
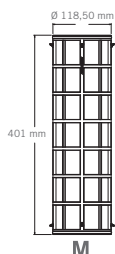


4" double body super compact

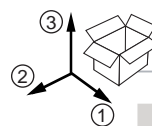
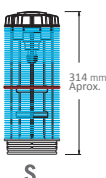
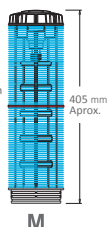
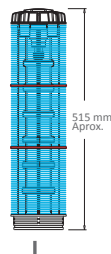
4969



3", 2" long and 2" screen cartridge



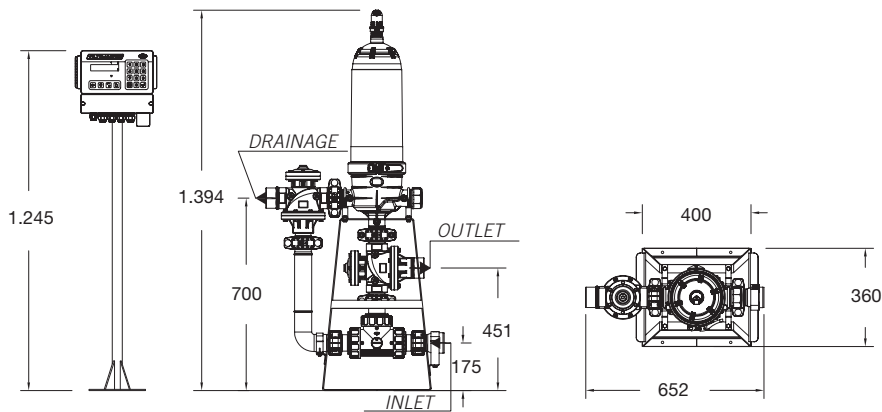
3", 2" L, 2" and 2" STD disc cartridge



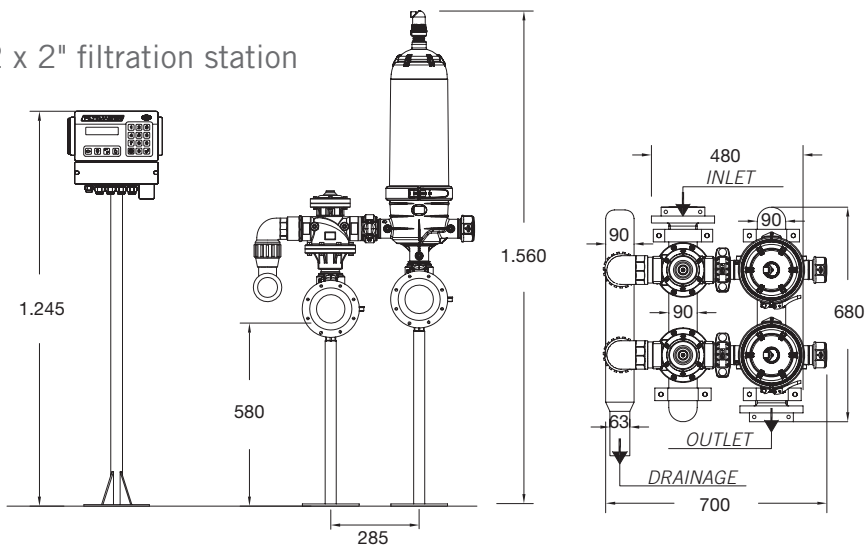
Code	1 (cm)	2 (cm)	3 (cm)
4139	32	24,5	77,5
4140	31	24,5	66,5
4163	26	35	127
4256	24,5	27,5	56,5
4969	33	25	105

## 2" single body automatic filtration stations. Dimensions.

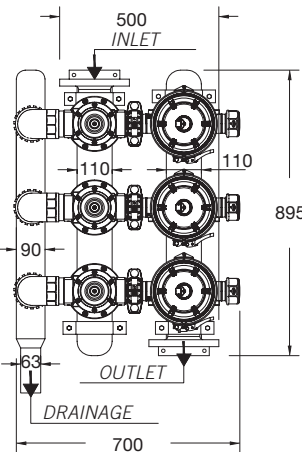
1 x 2" MasterONE filtration station



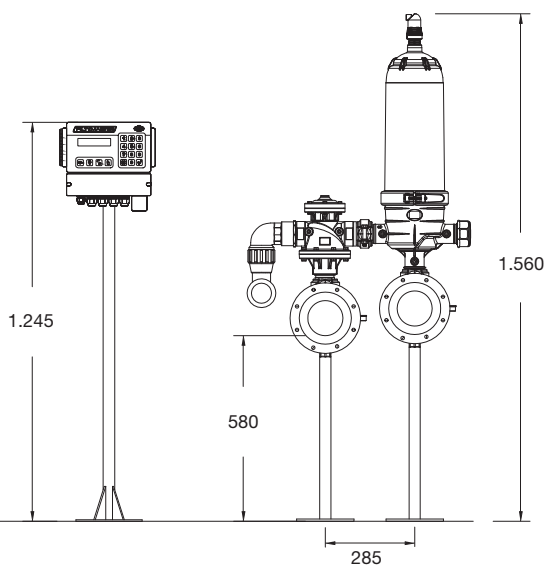
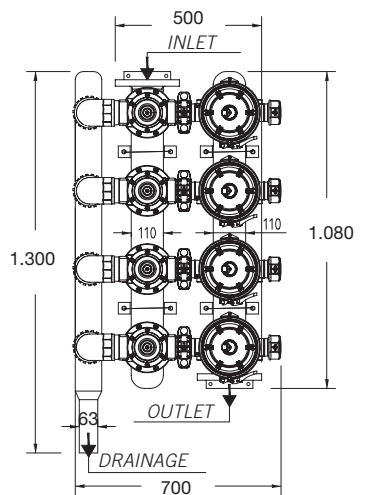
2 x 2" filtration station



3 x 2" filtration station



4 x 2" filtration station



# Dimensions and filter selection

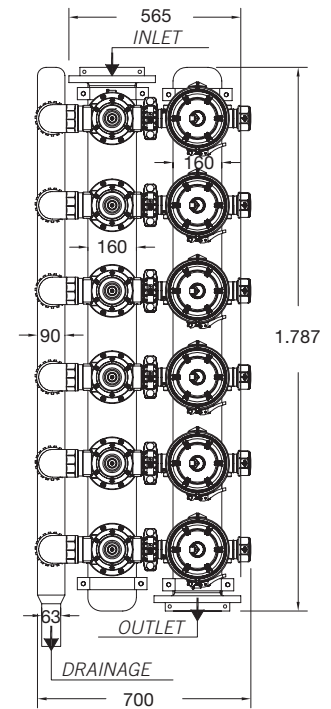
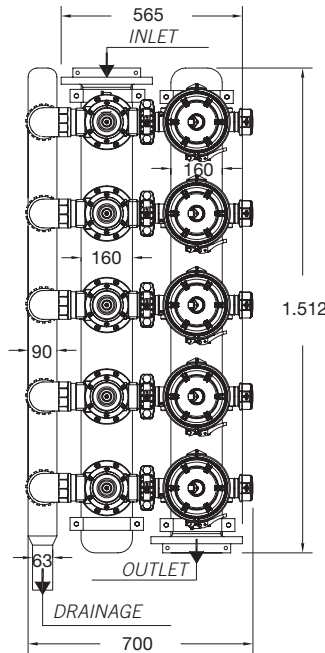
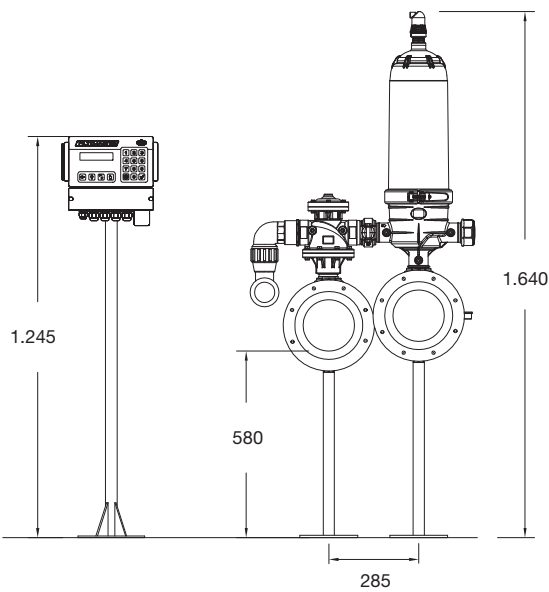
Filtmaster



## 2" single body automatic filtration stations. Dimensions.

5 x 2" filtration station

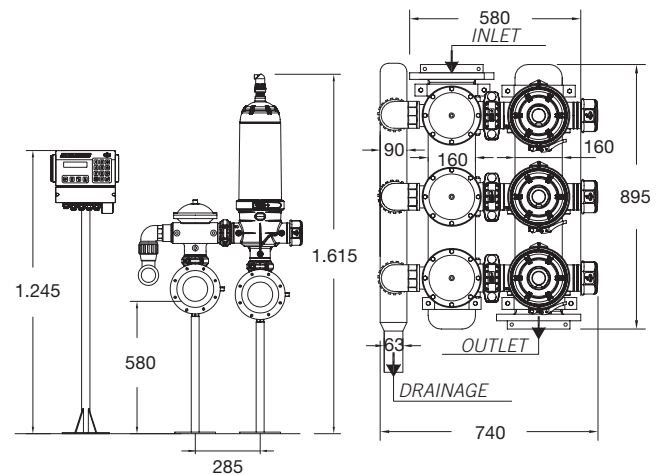
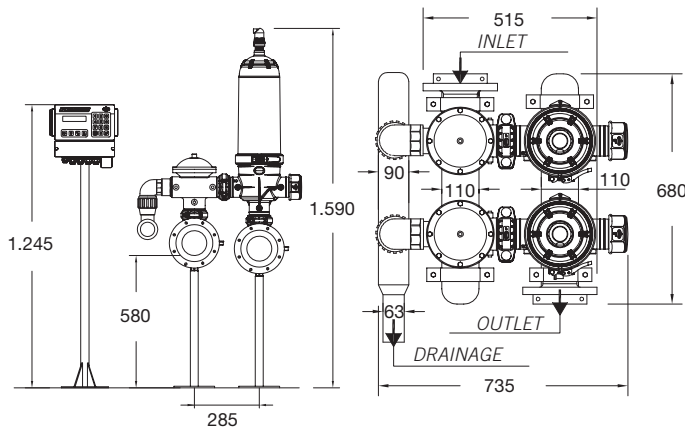
6 x 2" filtration station



## 3" single body automatic filtration stations. Dimensions.

2 x 3" filtration station

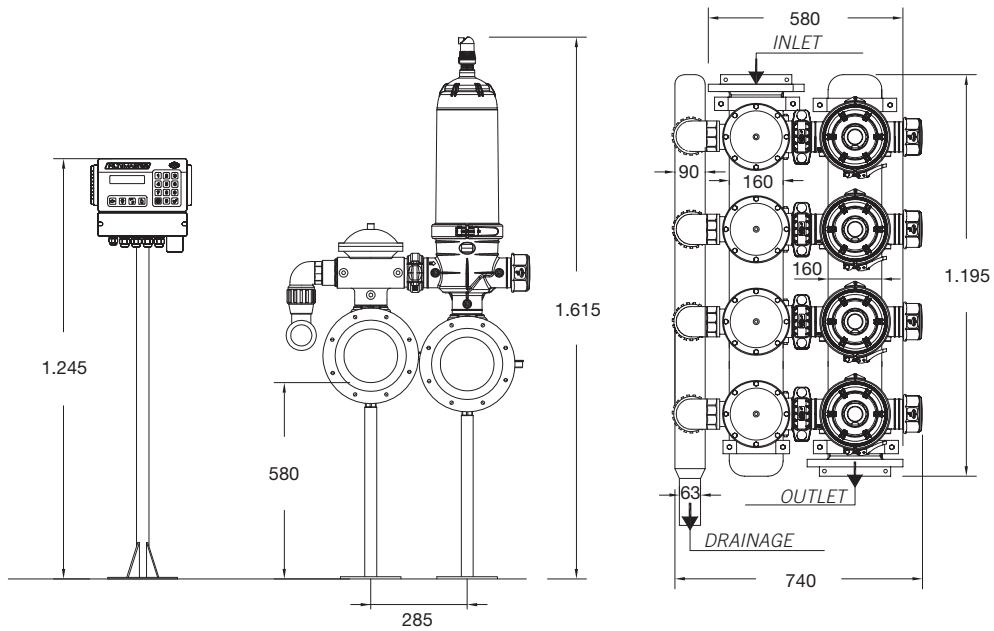
3 x 3" filtration station





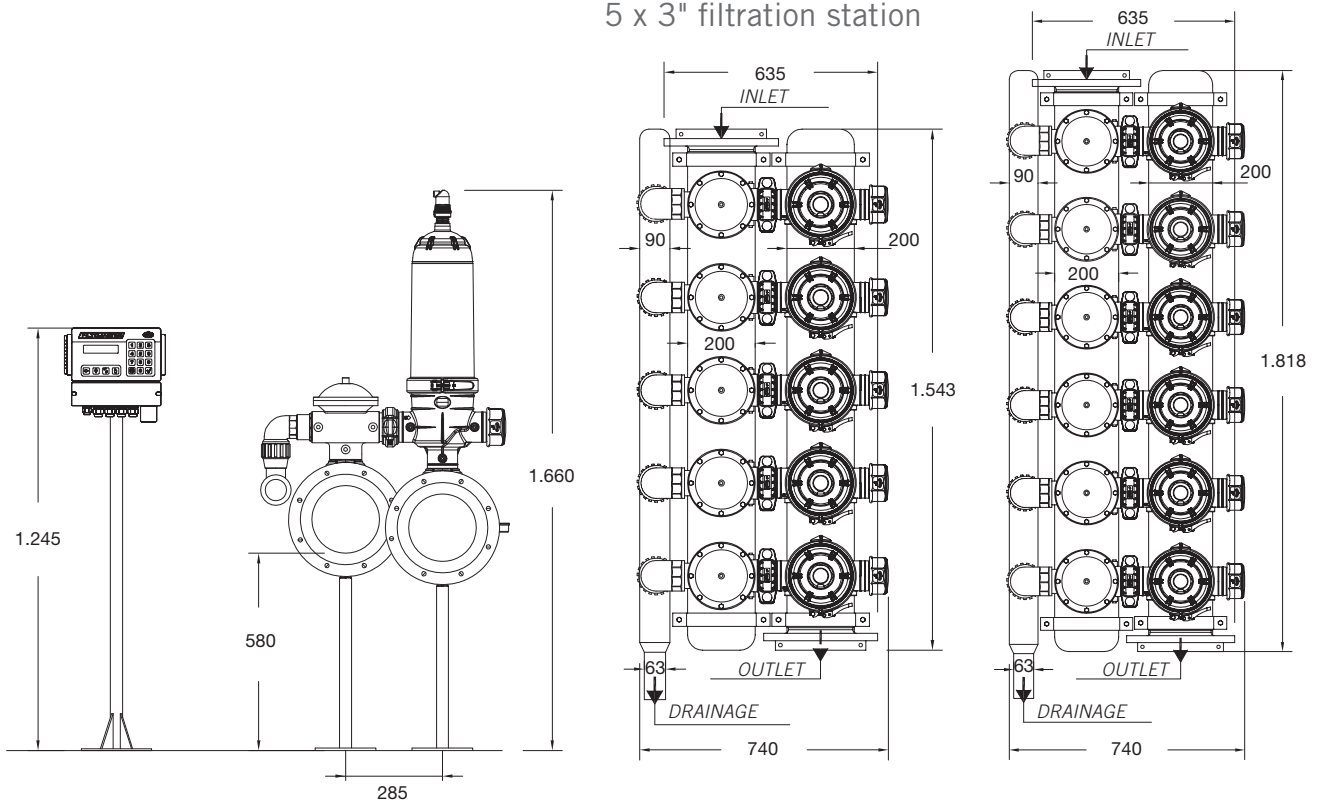
## 3" single body automatic filtration stations. Dimensions.

4 x 3" filtration station



6 x 3" filtration station

5 x 3" filtration station



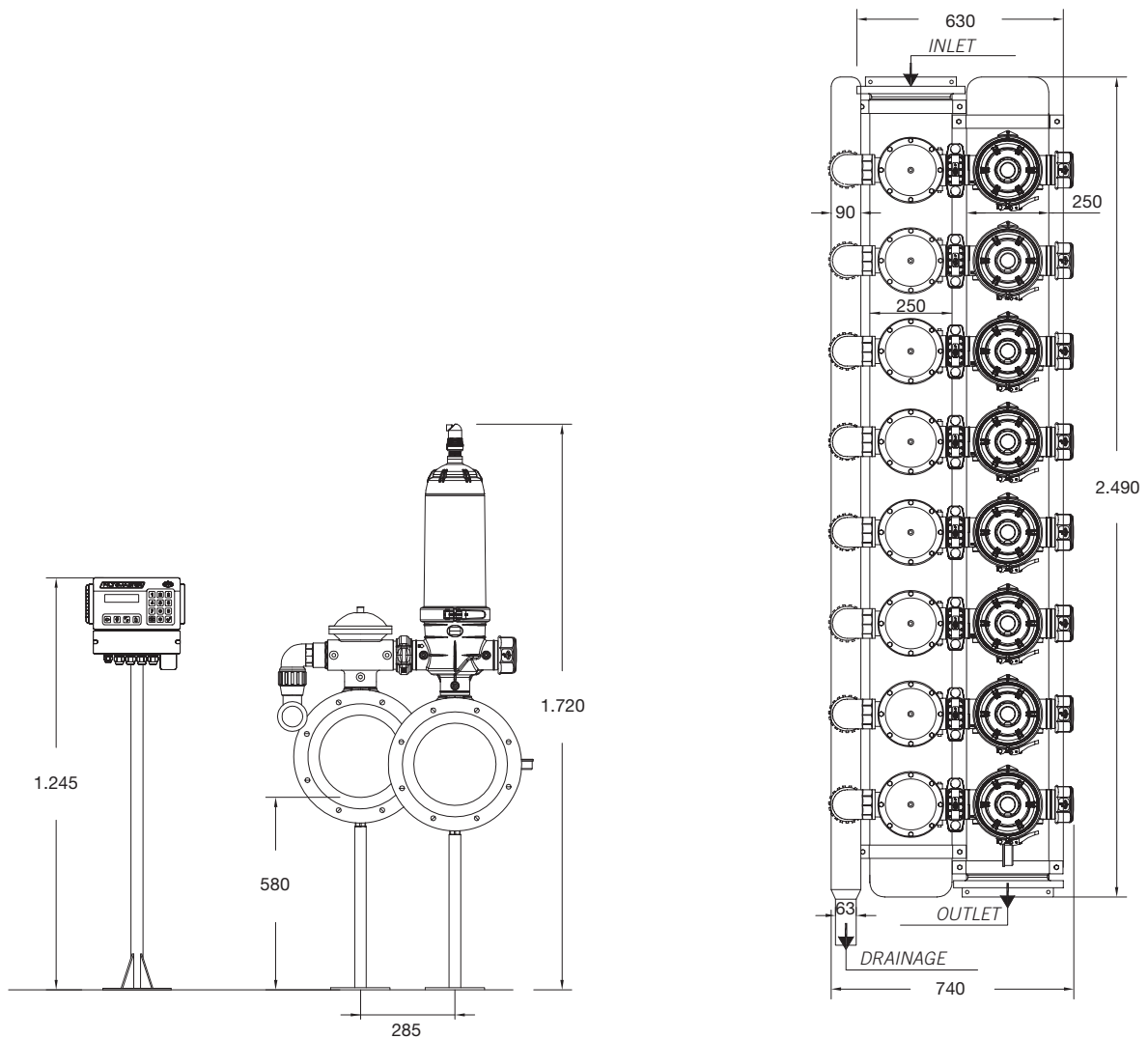
# Dimensions and filter selection

Filtmaster



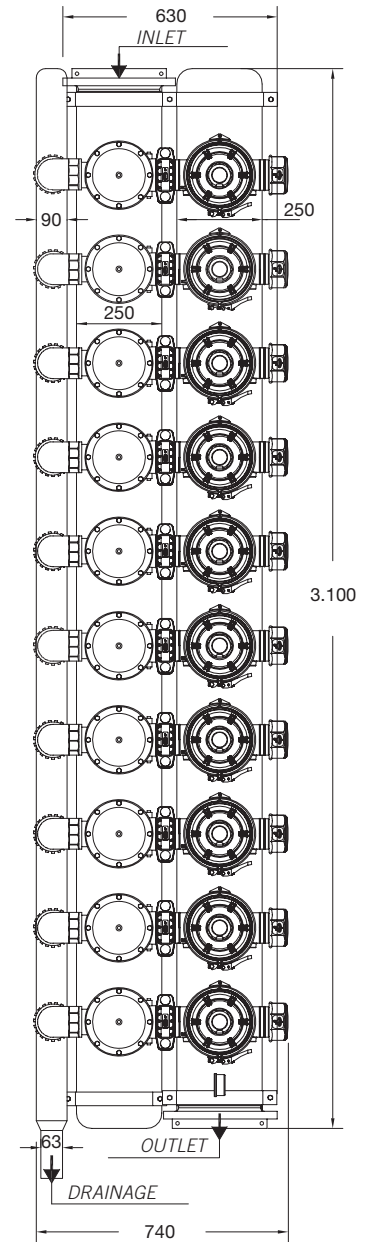
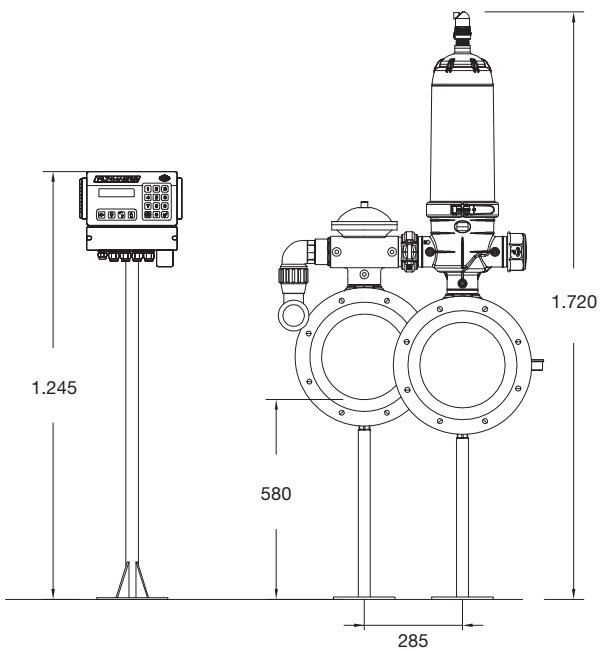
## 3" single body automatic filtration stations. Dimensions.

8 x 3" in line filtration station



## 3" single body automatic filtration stations. Dimensions.

10 x 3" in line filtration station



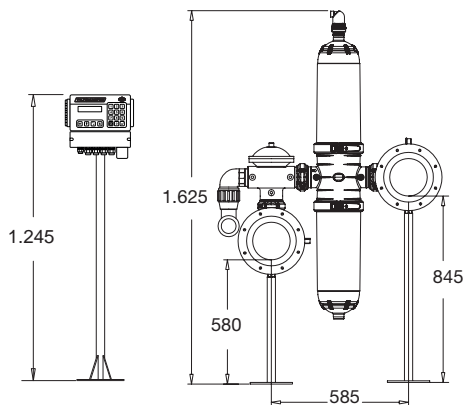


# Dimensions and filter selection

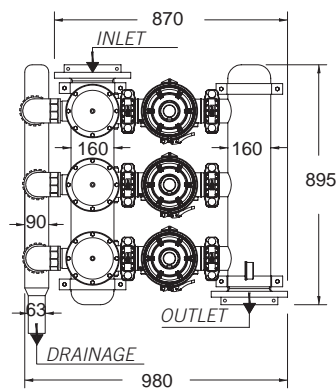
Filtmaster



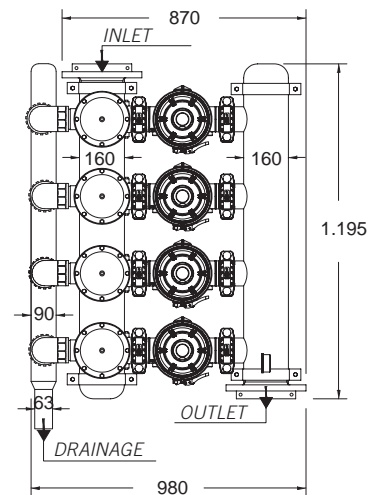
## 3" double body automatic filtration stations (vertical configuration). Dimensions.



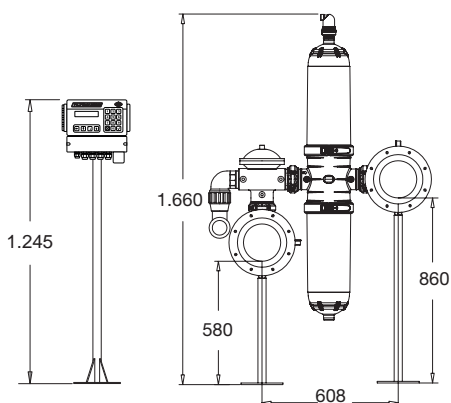
3 x 3" double body filtration station



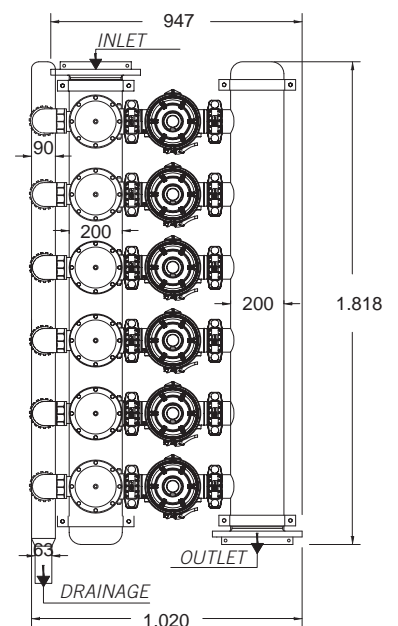
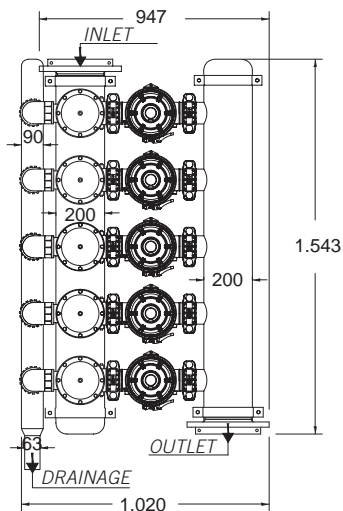
4 x 3" double body filtration station



6 x 3" double body filtration station

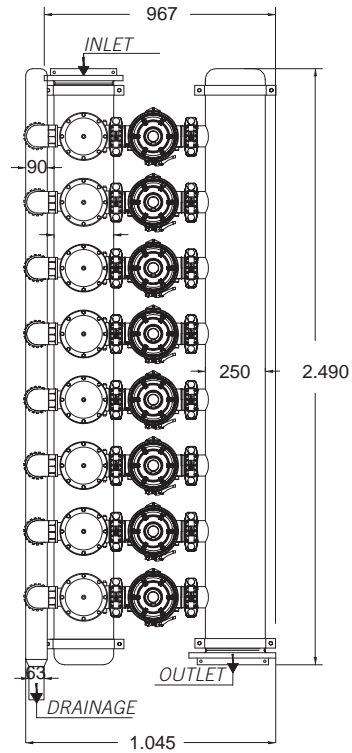
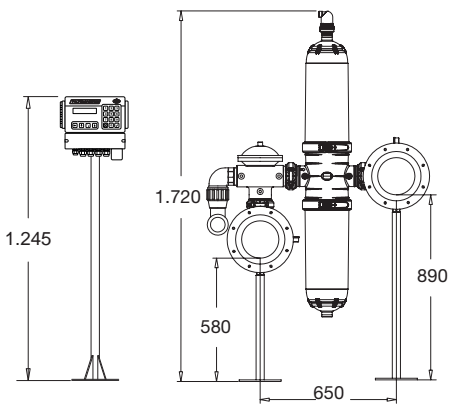


5 x 3" double body filtration station

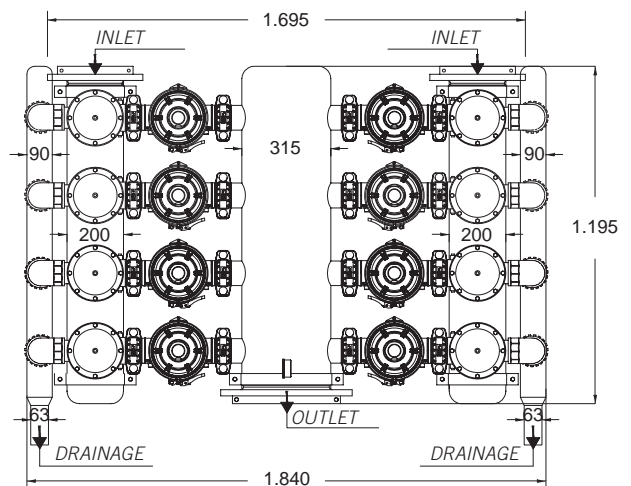
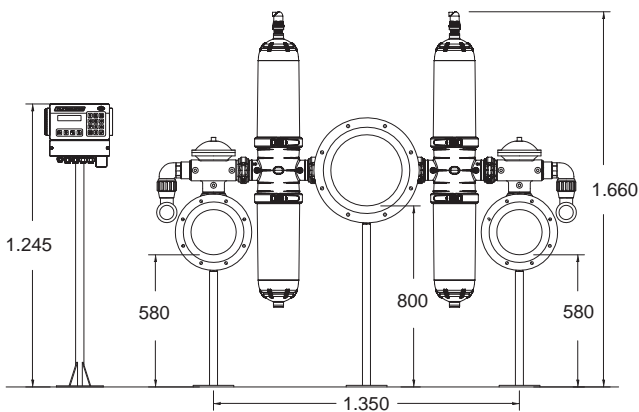


## 3" double body automatic filtration stations (vertical configuration). Dimensions.

8 x 3" in line double body filtration station



8 x 3" in parallel double body filtration station



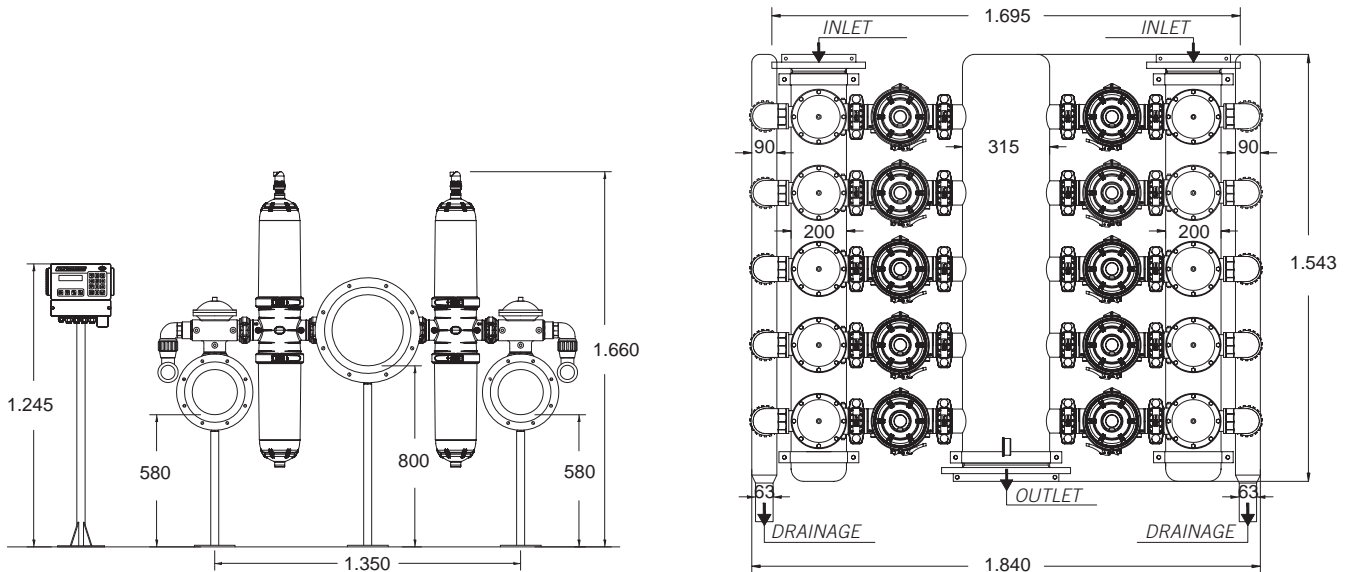
# Dimensions and filter selection

Filtmaster



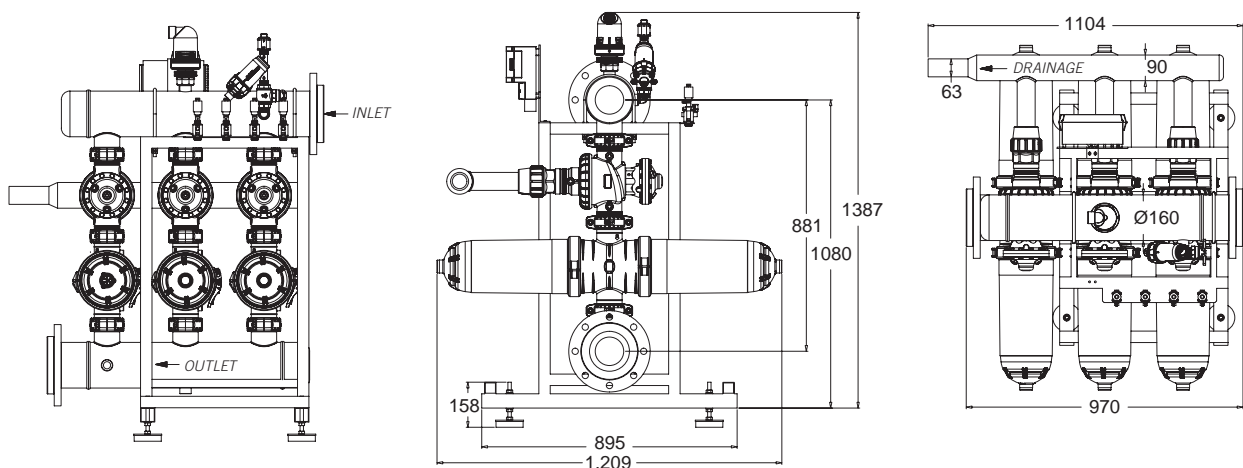
## 3" double body automatic filtration stations (vertical configuration). Dimensions.

10 x 3" in parallel double body filtration station



## 3" double body automatic filtration stations (horizontal configuration). Dimensions.

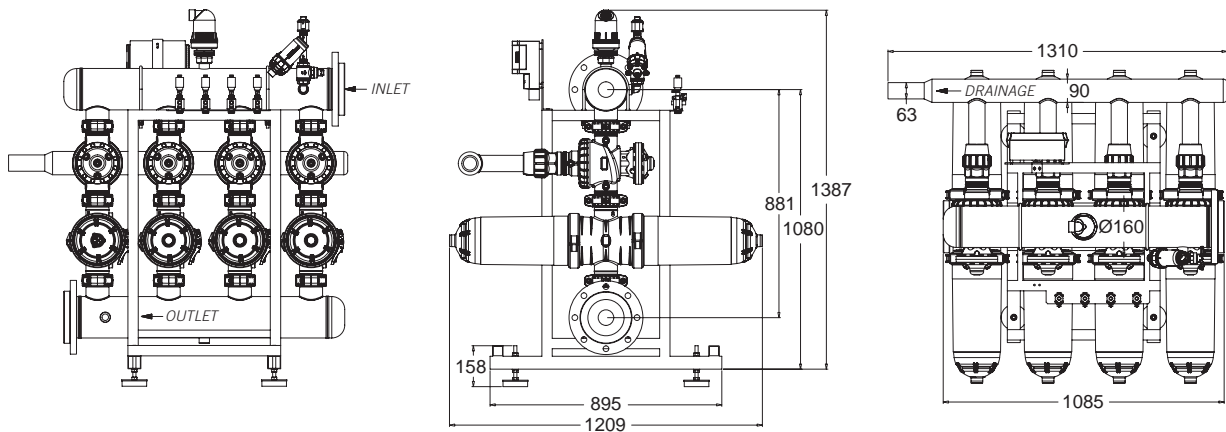
3 x 3" double body filtration station



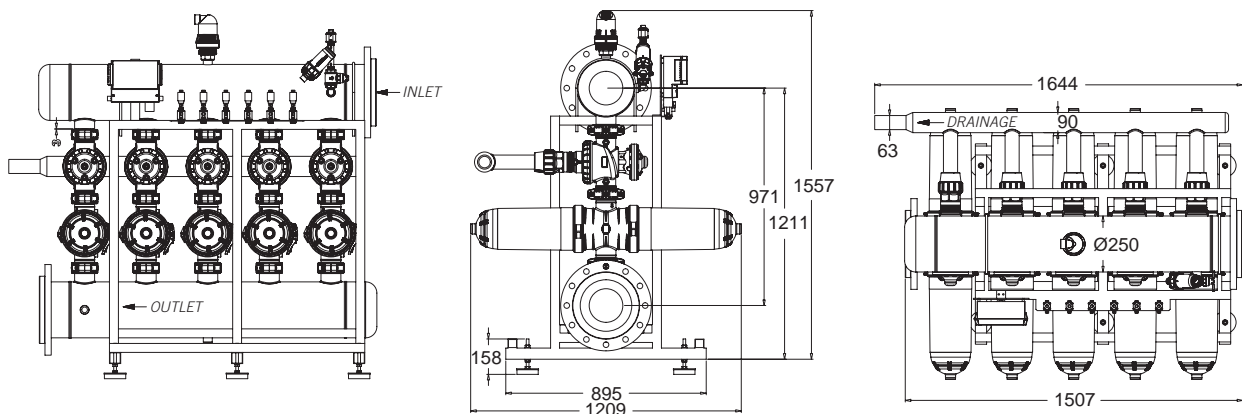


## 3" double body automatic filtration stations (horizontal configuration). Dimensions.

### 4 x 3" double body filtration station



### 5 x 3" double body filtration station



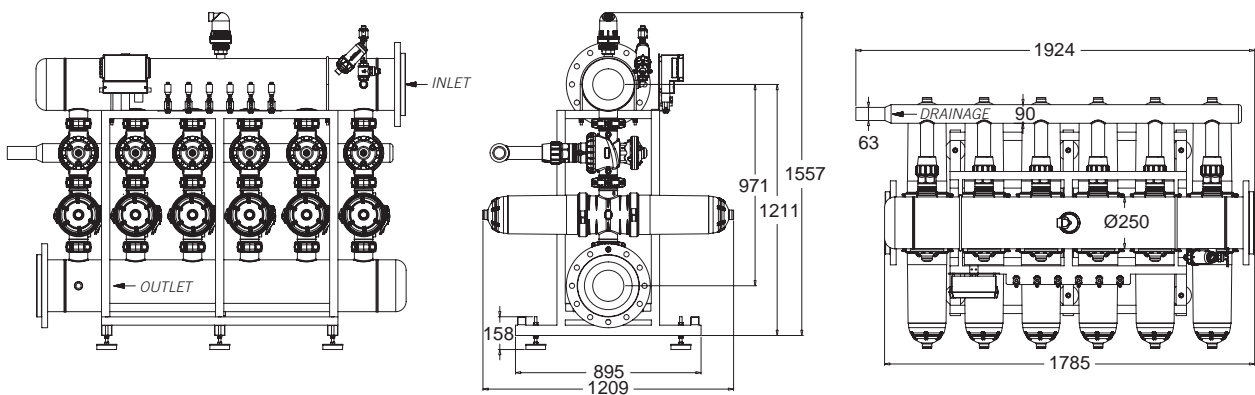
# Dimensions and filter selection

Filtmaster

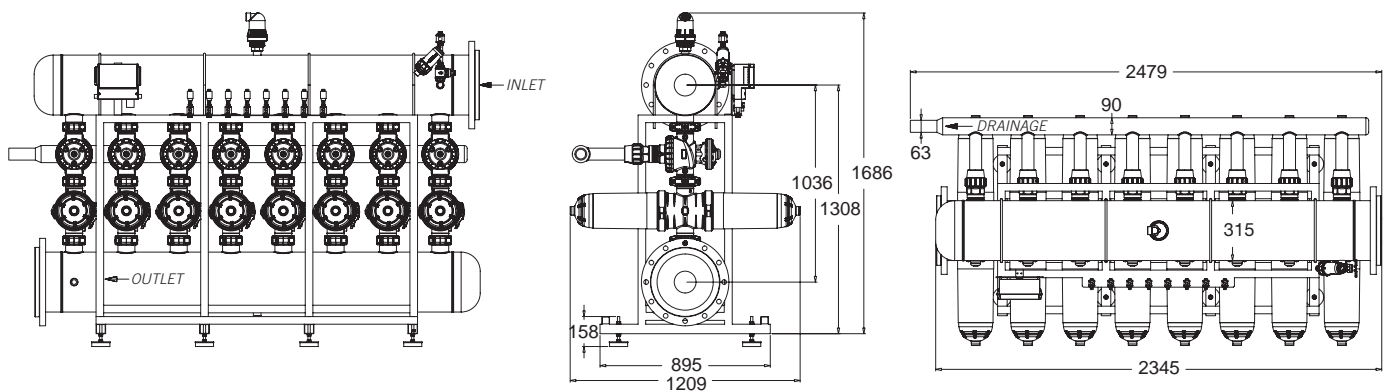


## 3" double body automatic filtration stations (horizontal configuration). Dimensions.

6 x 3" double body filtration station



8 x 3" double body filtration station



# Filter selection

Filtmaster

## Filtration capacity depending on filter model and water quality

¾", 1", 1¼" and 1½" filters

Filtration element	size	130 microns			100 microns			filtration surface
		A	B	C	A	B	C	
Screen	¾" - 1"	5,0	3,5	2,0	4,8	3,3	1,8	172 cm <sup>2</sup>
Discs	¾" - 1"	4,7	3,1	1,7	4,5	2,9	1,6	195 cm <sup>2</sup>
Screen	1 ¼" - 1 ½"	13,0	8,8	6,7	12,5	8,3	6,2	297 cm <sup>2</sup>
Discs	1 ¼" - 1 ½"	12,0	8,5	6,6	11,5	8,1	5,9	322 cm <sup>2</sup>

(m<sup>3</sup>/h)

Manual and hydrocyclonic filters

filter	200 microns disc			130 microns disc			100 microns disc			50 microns disc			20 microns disc pre-treat si % ≤ 20 ppm
	A	B	C	A	B	C	A	B	C	A	B	C	
2" STD	24	18	9	23	15	9	19	12	8	12	9	6	4
2"	33	22	13	31	20	12	25	17	10	16	11	6	5
2" long	39	25	22	37	24	20	30	20	17	19	13	10	6
3"	50	33	22	47	31	19	39	26	17	25	17	10	6
3" double SUPER COMPACT	55	40	22	53	35	20	44	28	18	28	20	13	8
4" double SUPER COMPACT	61	44	24	58	39	22	48	30	19	30	22	15	8
3" double COMPACT	74	49	30	69	44	26	57	37	23	36	24	14	10
4" double COMPACT	81	54	33	77	50	29	63	41	25	40	26	15	10
3" double	107	72	43	102	65	38	83	54	33	52	34	20	12
4" double	118	79	47	112	72	42	91	59	36	57	38	22	12

2" single body automatic filtration stations

Number of filters	200 microns disc			130 microns disc			100 microns disc			50 microns disc			25 microns disc		
	A	B	C	A	B	C	A	B	C	A*	B*	C*	A*	B*	C*
1	33	22	12	31	20	10	26	17	9	16	11	5	8	6	3
2	66	44	23	63	41	20	52	34	18	33	22	11	16	11	5
3	98	66	35	94	61	31	78	51	27	49	33	18	25	16	8
4	131	87	46	126	82	41	104	68	35	66	44	22	33	22	11
5	164	109	58	157	102	51	130	85	44	82	55	27	41	27	14
6	197	131	70	188	123	61	156	102	53	98	66	33	49	33	16
m <sup>3</sup> /h per filter	32,8	21,8	11,6	31,4	20,5	10,2	25,9	17,1	8,9	16,4	10,9	5,5	8,2	5,5	2,7

\* Minimum required inlet flow during backwash phase = 18 m<sup>3</sup>/h

3" single body automatic filtration stations

Number of filters	200 microns disc			130 microns disc			100 microns disc			50 microns disc			25 microns disc		
	A	B	C	A	B	C	A	B	C	A*	B*	C*	A*	B*	C*
2	75	50	25	66	44	22	57	37	19	40	27	14	20	14	7
3	113	75	38	99	66	33	85	56	29	61	41	20	30	20	10
4	151	100	50	132	88	44	114	75	39	81	55	27	40	27	14
5	188	125	63	166	111	55	142	94	48	101	68	34	51	34	17
6	226	150	75	199	133	66	170	112	58	121	82	41	61	41	20
8	301	200	100	265	177	88	227	150	78	162	109	55	81	55	27
10	377	250	126	331	221	111	284	187	97	202	137	68	101	68	34
m <sup>3</sup> /h per filter	37,7	25,0	12,6	33,1	22,1	11,1	28,4	18,7	9,7	20,2	13,7	6,8	10,1	6,8	3,4

\* Minimum required inlet flow during backwash phase = 18 m<sup>3</sup>/h



# Filter selection

Filtmaster



## 3" double body automatic filtration stations

Number of filters	200 microns disc			130 microns disc			100 microns disc			50 microns disc			25 microns disc		
	A	B	C	A	B	C	A	B	C	A*	B*	C*	A*	B*	C*
3	226	150	75	199	133	66	170	112	58	121	82	41	61	41	20
4	301	200	100	265	177	88	227	150	78	162	109	55	81	55	27
5	377	250	126	331	221	111	284	187	97	202	137	68	101	68	34
6	452	300	151	397	265	133	341	224	116	242	164	82	121	82	41
8	603	400	201	530	354	177	454	299	155	323	218	109	162	109	55
10	753	500	251	662	442	221	568	374	194	404	273	137	202	137	68
m <sup>3</sup> /h per filter	75,3	50,0	25,1	66,2	44,2	22,1	56,8	37,4	19,4	40,4	27,3	13,7	20,2	13,7	6,8

\* Minimum required inlet flow during backwash phase = 18 m<sup>3</sup>/h

### Total Suspended Solids in water

A < 50 ppm	50 ppm < B < 100 ppm	100 ppm < C < 150 ppm
River / Reservoir	Artificial Channel	Wastewater

Disc	Microns	Mesh	Application
Yellow	200	80	Medium filtration level for sprinkler applications
Red	130	120	Medium-fine filtration for drip irrigation and microsprinkler applications
Blue	100	150	Medium- fine filtration for tape and drip irrigation
Green	50	300	Fine filtration, for climatization, fog and industrial applications
Sky blue	25	600	Fine filtration for industrial applications
Violet	20	625	Fine filtration for industrial applications

## Filtration area

Initial data	200 microns disc	130 microns disc	100 microns disc	50 microns disc
crests per disc	800	950	1100	1440
total area per crest (mm <sup>2</sup> )	0,2	0,13	0,1	0,05
disc thickness	1,35	1,1	1,1	0,84
effective intersections	3,5	3,5	3,5	3,5
disc effective area	756,00	475,48	423,50	211,68

	2" standard	2"	2" long & 3" manual	3" & 4" Manual double body	Automatic 2" & 3"	Automatic 3" & 4" double body
discs per 130 micron cartridge	208	288	372	744	330	660

## Effective filtration area - 2" STD manual filter

	200 microns disc	130 microns disc	100 microns disc	50 microns disc
mm <sup>2</sup>	129.276,00	98.898,80	94.440,50	58.212,00
cm <sup>2</sup>	1.292,76	988,99	944,41	582,12

### Effective filtration area - 2" manual filter

	200 microns disc	130 microns disc	100 microns disc	50 microns disc
mm <sup>2</sup>	182.952,00	136.936,80	130.014,50	82.555,20
cm <sup>2</sup>	1.829,52	1.369,37	1.300,15	825,55

### Effective filtration area - 2" Long and 3" manual filters

	200 microns disc	130 microns disc	100 microns disc	50 microns disc
mm <sup>2</sup>	235.116,00	185.435,25	168.976,50	106.051,68
cm <sup>2</sup>	2.351,16	1.854,35	1.689,77	1.060,52

### Effective filtration area - 2" and 3" automatic filters

	200 microns disc	130 microns disc	100 microns disc	50 microns disc	25 microns disc
mm <sup>2</sup>	209.412,00	161.661,50	146.107,50	94.197,60	53.025,84
cm <sup>2</sup>	2.094,12	1.616,62	1.461,08	941,98	530,26

### Effective filtration area - 3" and 4" double body manual filters

	200 microns disc	130 microns disc	100 microns disc	50 microns disc
mm <sup>2</sup>	470.232,00	370.870,50	337.953,00	212.103,36
cm <sup>2</sup>	4.702,32	3.708,71	3.379,53	2.121,03

### Effective filtration area - 3" and 4" double body automatic filters

	200 microns disc	130 microns disc	100 microns disc	50 microns disc	25 microns disc
mm <sup>2</sup>	418.824,00	323.323,00	292.215,00	188.395,20	106.051,68
cm <sup>2</sup>	4.188,24	3.233,23	2.922,15	1.883,95	1.060,52

### Effective filtration area - 3" and 4" double body compact manual filters

	200 microns disc	130 microns disc	100 microns disc	50 microns disc
mm <sup>2</sup>	365.904,00	273.873,60	260.029,00	165.110,40
cm <sup>2</sup>	3.659,04	2.738,74	2.600,29	1.651,10

## Working conditions for automatic filtration stations

	Working conditions		
	2" single body filter	3" single body filter	3" double body filter
Maximum pressure		10 bar	
Minimum filtration pressure		1 bar	
Head loss		0,6 bar	
Minimum backwash pressure		depending on filtration degree	
200 - 130 - 100 micron		3 bar	
50 micron		4 bar	
25 micron		5 bar	
Minimum backwash flow		depending on filtration degree	
200 - 130 - 100 micron	10 m <sup>3</sup> /h	15 m <sup>3</sup> /h	15 m <sup>3</sup> /h
25-50 microns	12-14 m <sup>3</sup> /h	18-20 m <sup>3</sup> /h	18-20 m <sup>3</sup> /h
Maximum temperature		60°C	
pH interval		4-13	



# 06

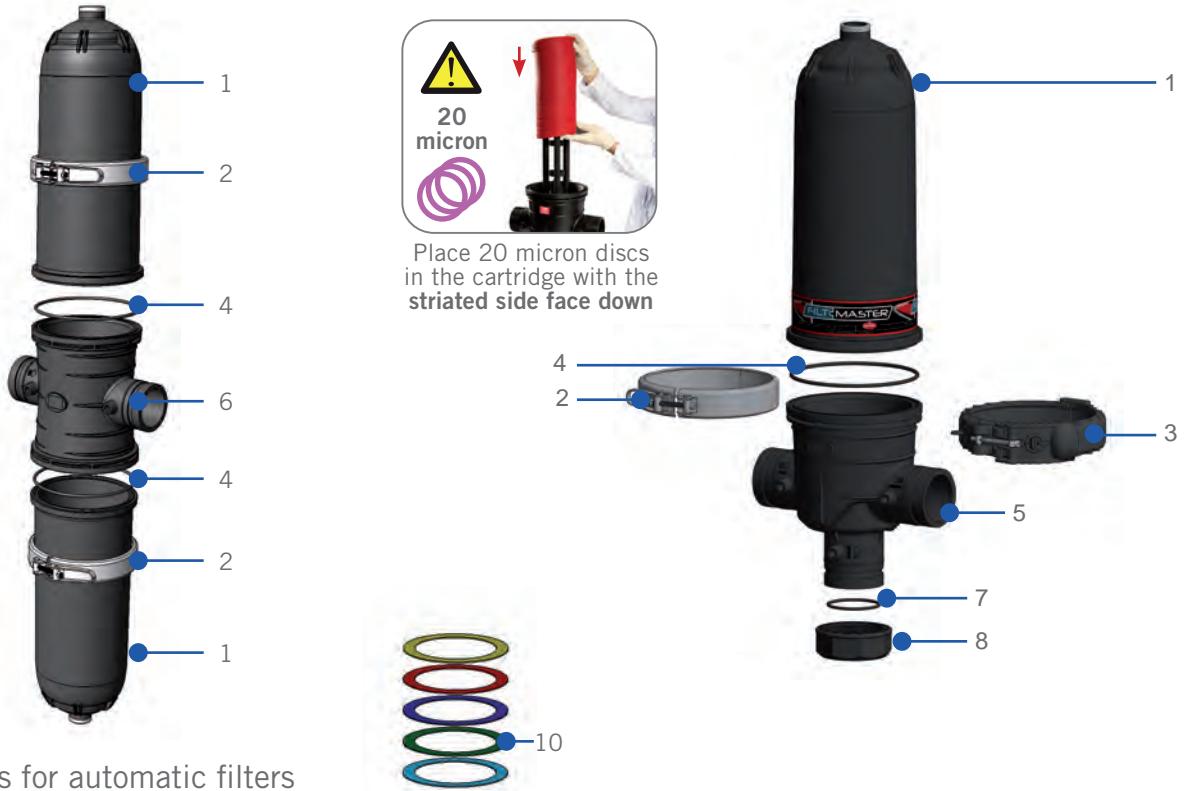
## Spare parts and accessories



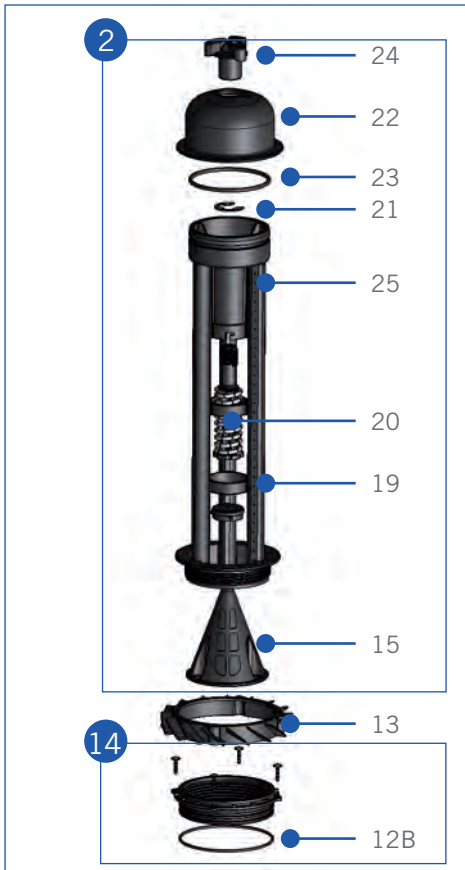
# Spare parts and accessories

Filtmaster

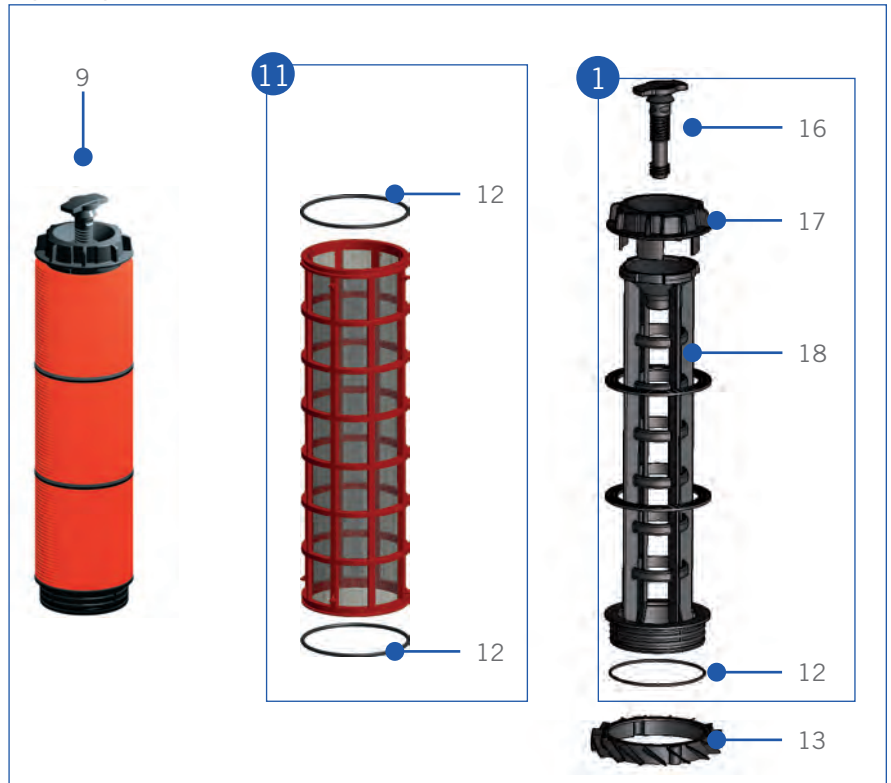
## Spare parts and accessories



Spare parts for automatic filters



Spare parts for manual filters



### 1.- Filter cover

code	size	u./	n°
97824	2" Std.	1	A-2
97345	2"	1	A-11
97346	3" / 2" L	1	A-4

### 1.- Transparent filter cover

(Only for demonstrations)

code	size	u./	n°
97347	2"	1	A-2
97348	3" / 2" L	1	A-4

### 2.- Stainless steel clamp

code	size	u./	n°
97350	2"- 3"	1	A-1

### 3.- PAFV clamp

code	size	u./	n°
97759	2"- 3"	1	A-2

### 4.- NBR o-ring for big flow filters

code	size	u./	n°
97351	2"- 3"	10	A-10

### 5.- Filter body (3 ways)

code	size	u./	n°
97770	2"- BBB	1	A-11
97772	2"- VBV	1	A-11
97771	2"- VVB	1	A-11
97773	2"- NNN	1	A-11
97775	2"- VNV	1	A-11
97774	2"- VVN	1	A-11
97777	3"- BBB	1	A-8
97779	3"- VBV	1	A-8
97778	3"- VVB	1	A-8
97780	3"- NNN	1	A-8
97782	3"- VNV	1	A-8
97781	3"- VVN	1	A-8

### 6.- Filter body (2 ways)

code	size	u./	n°
97785	3"- BB	1	A-9
97784	3"- NN	1	A-9
97786	3"- VV	1	A-9
97788	4"- BB	1	A-8
97787	4"- NN	1	A-8
97789	4"- VV	1	A-9

### 7.- O-ring for cap

code	size	u./	n°
97802	2"	1	4114
97803	3"	1	4114

### 8.- Female threaded cap

code	size	u./	n°
51512	2" BSP	25	A-1
51535	3" BSP	15	A-2
51513	2" NPT	25	A-1
51536	3" NPT	15	A-2

### 9.- Disc cartridge

code	size	u./	n°
97825	2" Std. 20M	1	A-2
97826	2" Std. 50M	1	A-2
97827	2" Std. 100M	1	A-2
97828	2" Std. 130M	1	A-2
97829	2" Std. 200M	1	A-2
98647	2"-20M	1	A-2
98674	2"-50M	1	A-2
97341	2"-100M	1	A-2
97342	2"-130M	1	A-2
98676	2"-200M	1	A-2
98648	3"/2"L-20M	1	4126
98675	3"/2"L-50M	1	4126
97343	3"/2"L-100M	1	4126
97344	3"/2"L-130M	1	4126
98677	3"/2"L-200M	1	4126
98649	Aut.-25M	1	4126
98777	Aut.-50M	1	4126
98778	Aut.-100M	1	4126
98779	Aut.-130M	1	4126
98780	Aut.-200M	1	4126

### 10.- Discs kit (500 units)

code	micron	u./	n°
98813	20M	1	A-11
98495	25M	1	A-2
98814	50M	1	A-2
98815	100M	1	A-11
98816	130M	1	A-11
98817	200M	1	A-11

### 11 Screen cartridge for big flow filters

(\* 3" and 2" long)

code	size	u./	n°
98678	2" - 100M (S)	1	A-2
98680	2" - 130M (S)	1	A-2
98679•	2" L/3" - 100M (M)	1	A-19
98681•	2" L/3" - 130M (M)	1	A-19
98918•	2" L/3" - 200M (M)	1	A-19

### 12.- O-ring for manual cartridge (disc/screen)

code	size	u./	n°
97349	2"-3"	10	A-10

### 12 B.- O-ring for automatic disc cartridge and manual before 2015

ref.	medida	u./	n°
97335	2"-3"	10	A-10

### 13.- Deflector crown for hydrociclonic filter

code	size	u./	n°
97336	2"-3"	1	A-10

### 14 Automatic filter adaptor kit

code	size	u./	n°
98782	-	1	4112

### 15.- NBR non-return valve for automatic disc cartridge

code	size	u./	n°
98781	-	1	4109

### 16.- Plastic screw for manual disc cartridge

code	size	u./	n°
97801	-	1	-

### 17.- Cap for disc cartridge

code	size	u./	n°
97800	-	5	A-10

### 18.- Body frame for manual cartridge

code	size	u./	n°
97798	2"	1	A-2
97799	3"	1	-

### 19.- Closing cover with joint

code	size	u./	n°
97761	-	1	-

### 20.- AISI 304 spring

code	size	u./	n°
97762	-	1	-
97833	low pressure	1	-

### 21.- Hydraulic piston washer

code	size	u./	n°
97763	-	1	-

### 22.- Hydraulic piston cover

code	size	u./	n°
97765	-	1	A-10

### 23.- Conical joint for hydraulic piston

code	size	u./	n°
97764	-	1	-

### 24.- Plastic screw for automatic disc cartridge

code	size	u./	n°
97766	-	1	-

### 25.- Body frame for automatic cartridge

code	size	u./	n°
97767	-	1	A-8

### 1 Cartridge without discs for manual filters

code	size	u./	n°
97830	2" Std.	1	-
98892	2"	1	A-2
98891	2" L / 3"	1	A-29

### 2 Cartridge without discs for automatic filters

code	size	u./	n°
98796	-	1	A-8

# Spare parts and accessories

Filtmaster

## Spare parts and accessories

For 3/4", 1", 1 1/4" and 1 1/2" filters



### 1 Disc cartridge

code	size	u./	n°
91088	1" - 3/4" 100 M	5	A-10
91089	1 1/4"-1 1/2"100 M	5	A-2
91090	1" - 3/4" 130 M	5	A-10
91091	1 1/4"-1 1/2"130 M	5	A-2
91098 ANTIALGAS	1" - 3/4" 130 M	5	A-10

### 2 Stainless steel screen cartridge

code	size	u./	n°
91084	1" - 3/4" 100 M	5	A-10
91085	1 1/4"-1 1/2"100 M	5	A-2
91086	1" - 3/4" 130 M	5	A-10
91087	1 1/4"-1 1/2"130 M	5	A-2

### 2 PP screen cartridge

code	size	u./	n°
191084	1" - 3/4" 100 M	5	A-10
191085	1 1/4"-1 1/2"100 M	5	A-2
191086	1" - 3/4" 130 M	5	A-10
191087	1 1/4"-1 1/2"130 M	5	A-2

### 3.- O-ring for filter cartridge (screen and disc)

code	size	u./	n°
97790	3/4" - 1"	10	4114
97791	1 1/4" - 1 1/2"	10	4114

### 4.- NBR o-ring for low flow filter

code	size	u./	n°
97792	3/4" - 1"	10	A-10
97793	1 1/4" - 1 1/2"	10	A-10

### 5.- Filter purge cap

code	size	u./	n°
91422	3/4" - 1"	10	A-2
91423	1 1/4" - 1 1/2"	10	A-10



### In angle cast iron backwash valve

code	size	u./	n°
98650	3"x3"x2"	3	A-10

Patm 1  
KV 3" 110

Backwash pressure (bar)	backwash flow (m³/h)
0	0,00
1	0,00
2	10,49
3	14,83
4	18,17
5	20,98
6	23,45
7	25,69
8	27,75
9	29,66

### Membrane

code	size	u./	n°
98905	3"x3"x2"	3	4114

### O-ring for piston

code	size	u./	n°
98906	3"x3"x2"	3	4114

### M-8 washer

code	size	u./	n°
98907	3"x3"x2"	3	4114

### Flat closure washer

code	size	u./	n°
98910	3"x3"x2"	3	4114



### In line plastic backwash valve

code	size	u./	n°
98890	3"x3"x2"	1	A-11

### In angle plastic backwash valve

code	size	u./	n°
98651	2"x2"x2"	1	A-1

Patm 1  
KV 2" 52

Backwash pressure (bar)	backwash flow (m³/h)
0	0,00
1	0,00
2	7,21
3	10,20
4	12,49
5	14,42
6	16,12
7	17,66
8	19,08
9	20,40



### Membrane

code	size	u./	n°
98895	2"x2"x2"	1	4114



HDPE manifold for filtration stations

code	size	outlet Ø	u./	n°
98783	90	2 x 2"V	1	-
98788	110	2 x 3"V	1	-
98784	110	3 x 2"V	1	-
98789	160	3 x 3"V	1	-
98785	110	4 x 2"V	1	-
98790	160	4 x 3"V	1	-
98786	160	5 x 2"V	1	-
98791	200	5 x 3"V	1	-
98787	160	6 x 2"V	1	-
98792	200	6 x 3"V	1	-
98430	250	5 x 3"V	1	-
98431	250	6 x 3"V	1	-
98940	315	8 x 3"V	1	-



Stainless steel support for filtration station manifolds

code	size	u./	n°
98793	90	1	-
98784	110	1	-
98795	160	1	-
98810	200	1	-

AISI 304



HDPE drainage manifold for filtration stations

code	size	outlet Ø	u./	n°
91321	63	2 x 2"	1	-
91320	63	3 x 2"	1	-
91319	63	4 x 2"	1	-
91318	63	5 x 2"	1	-
91317	63	6 x 2"	1	-
91323	63	8 x 2"	1	-



Micropipe for hydraulic control (1000 m/roll)

code	size	u./	n°
98652	6x8	1.000	A-14+A-17



9VDC FILTMASTER cleaning controller kit

code	solenoid	Ner filters	n°
98797	9V	0	1
98876	9V	2	1
98877	9V	3	1
98682	9V	6	1



220V/24VAC FILTMASTER cleaning controller kit

code	solenoid	Ner filters	n°
98799	24V	0	1
98874	24V	2	1
98875	24V	3	1
98898	24V	4	1
98899	24V	5	1
98683	24V	6	1



Pressure gauge (10 bar)

code	size	u./	n°
97354	¼"	5	A-10



## Spare parts and accessories



FITMASTER coupling for grooved pipes

code	size	u./	n°
97352	2"	10	A-1
97353	3"	10	A-2
98657	4"	5	A-2
97208	2 1/2"	10	A-2
97209	6"	4	A-11
97210	8"	4	A-8

(\*plastic)



FITMASTER flange union

code	size	u./	n°
98660	3"	10	-
98661	4"	5	A-11
98662	6"	5	-

Made in cast iron



Grooved/threaded connector

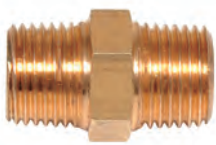
code	size	u./	n°
98902	2"	3	4112



Grooved/PVC socket connector

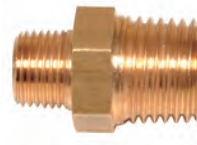
code	size	u./	n°
98666	75-63x2"	5	A-10
98667	110-90x3"	3	A-1
98668	125-110x4"	3	A-2
98669	180-160x6"	2	A-2

Made in PVC (for UNE EN ISO 1452 pipes)



Threaded nipple (M/M metallic)

code	size	u./	n°
98653	1/4"	20	-
98655	1/8"	20	-



Threaded nipple (M/M metallic)

code	size	u./	n°
98654	1/4"-1/8"	20	-



Gasket for FITMASTER coupling

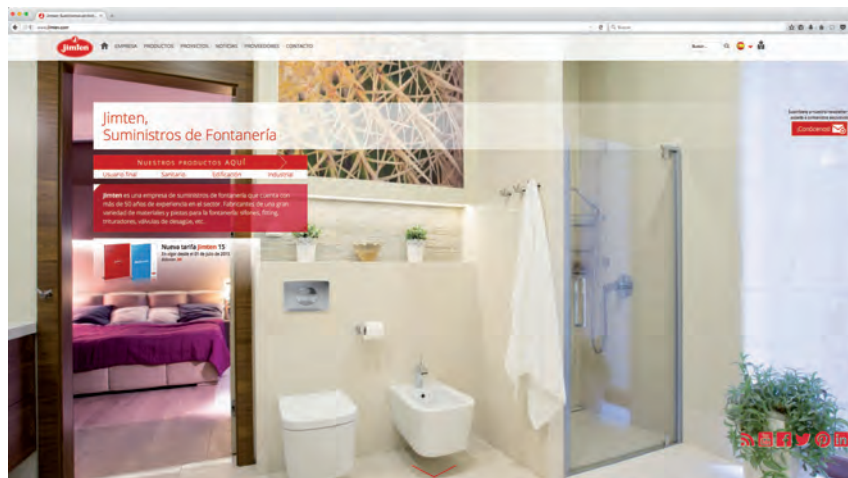
code	size	u./	n°
97839	2"	10	A-2
97840	3"	10	A-2
97841	4"	4	A-2





**NOTICE:** Data supplied on this catalogue, as a consequence of permanent improvement and evolution of our products, may change without previous notice. This catalogue is not a contractual agreement. All the information is supplied in good faith. We do not accept any liability as a consequence of using information on this catalogue.

The updated version of this catalogue is available in our webpage  
**jimten.com**





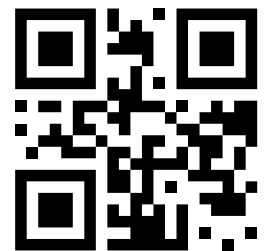


## FILTMASTER Filtration systems



©JIMTEN 1M

45571 04-19



**jimten, SA**

CTRA. DE OCAÑA, 125. C.P. 03114  
(ACCESO POR POL. LAS ATALAYAS,  
C/ DEL YEN, S.N.)  
✉ 5285 C.P. 03080  
☎ +34.965.10.90.44  
☎ +34.965.11.50.82  
ALICANTE (ESPAÑA)

[jimten.com](http://jimten.com)

Empresa registrada según norma



ER-0084/1996



GA-1999/0156



SST-0130/2016



an OAliaxis company