



jimten.com

news

FEBRUARY 2019



LINNUM 40

Slot channel for tiled shower

Only 40mm width

Stainless steel cover

Aesthetics, elegance and quality

Removable trap

Easy cleaning

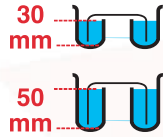
Central grid with hair filter integrated, easily removable

Low level channel with 5 different lengths:
350mm / 650mm / 750mm / 850mm / 950mm.



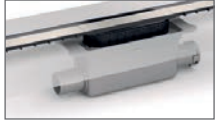
Removable trap available in two different water seal 30mm and 50mm

Includes cut-out extendable for tiles installation with thicknesses from 8mm to 28mm

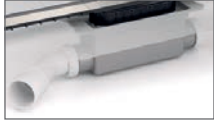


Geotextile waterproofing fabric 600x600 (mm)

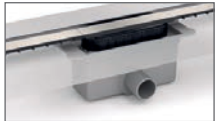
Multiple outlets available



Lateral outlet 40F/50M solvent socket.



Lateral outlet 45° orientable PP male 40/50M mm.



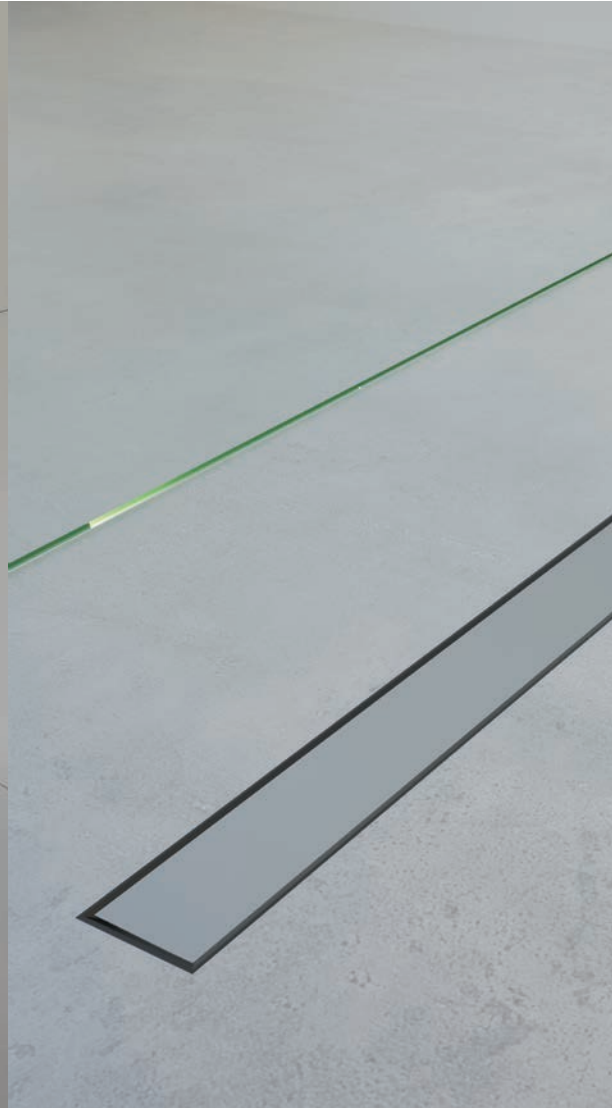
Horizontal outlet 40F/50M solvent socket.



Horizontal outlet 45° orientable PP male 40/50 mm.



Vertical outlet 40F/50M solvent socket.



LINNUM WALL

Vertical gully for tiled showers

Available starting from 2nd quarter 2018

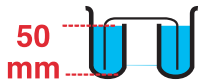
Easy installation

High flow rate. Up to 0.74 l/s

Adaptable to different cladding thicknesses

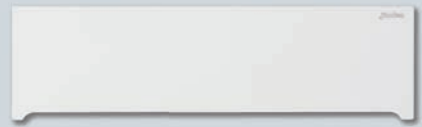


2 water seal options:



Removable trap

COVERS



White ABS



Stainless steel



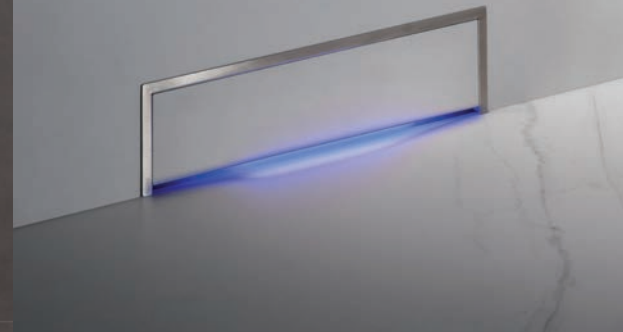
Stainless steel fill-in frame

6 Outlet options:

- Front outlet:
 - To be glued 40M
 - To be glued 40H/50M
 - 45° orientable outlet male 40/50mm
- Side outlet:
 - To be glued 40M
 - To be glued 40H/50M
 - 45° orientable outlet male 40/50mm



Led lighting option



Stainless steel cover version



CAMALEON WITH DUAL SYSTEM

Advanced drainage systems

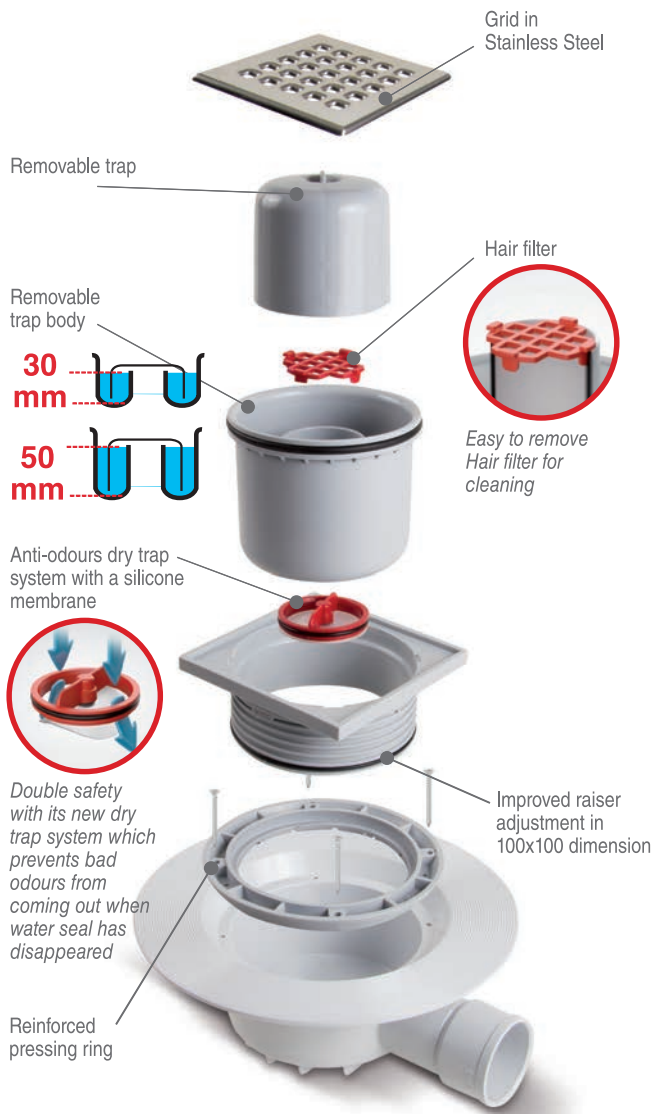
With DUAL dry trap system



New hair filter



New Square grid 100x100 mm

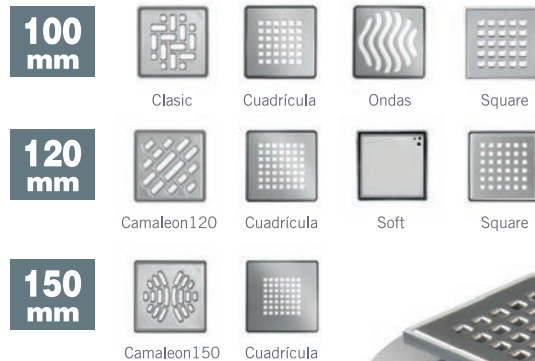


New range equipped with a dry trap which prevents odours even when the water seal has disappeared.

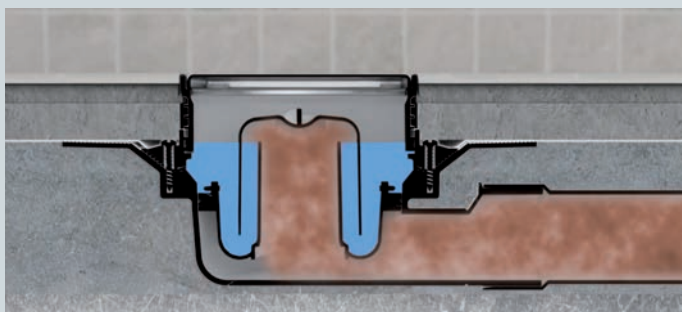
camaleon® 100/120/150mm

The Camaleon floor gullies range for tiled showers now has a number of new options which further improve its performance. New Square grid in 100x100, hair filter and removable dry trap.

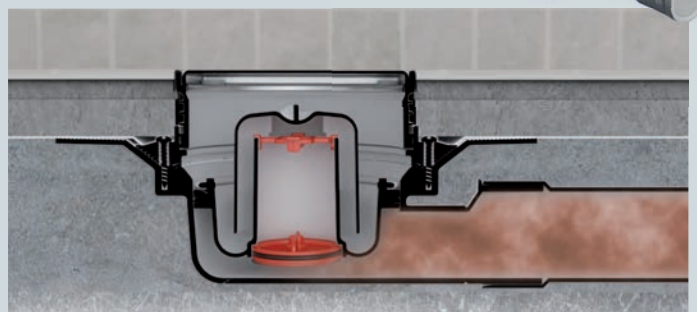
GRID OPTIONS



NEW DRY TRAP SYSTEM WHICH PREVENTS BAD ODOURS



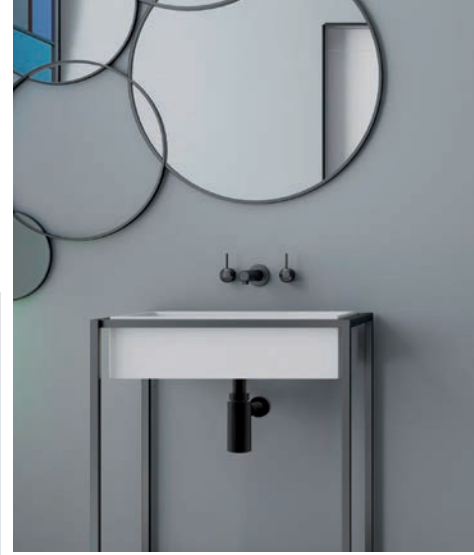
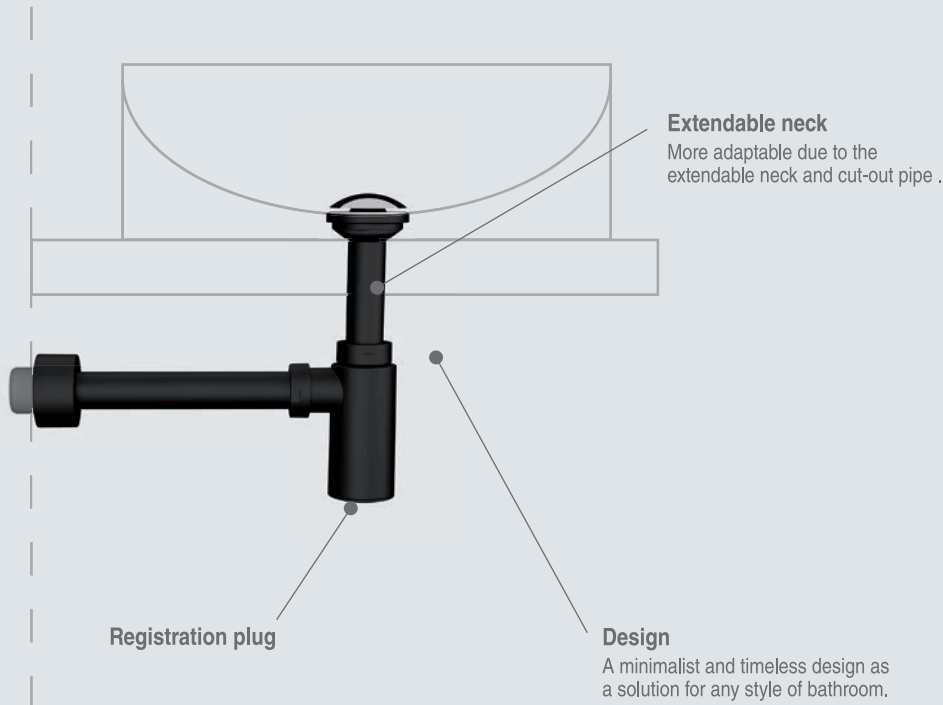
Water drainage creates an hydraulic seal which prevents bad odours from the piping into the bathroom.



The valve prevents, even in case of hydraulic seal failure, bad odours from coming into the bathroom.

▶ BLACK EDITION

Design traps matt black finished



**BLACK
EDITION**

S-442



S-438

EN
274



▶ UNIVERSAL PAN CONNECTOR

For dual WC

Universal. Reliable

Space Saving

Reliable

With fixation to avoid displacement and bad smells.

Adaptable

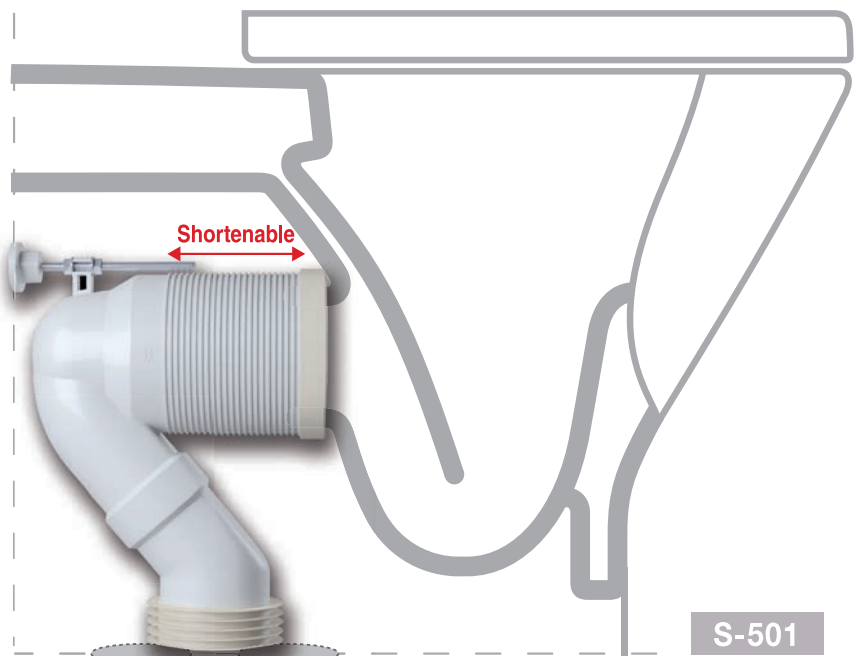
Adaptable shortenable connection WC inlet.

Adjustable outlet

Compatible with installation lengths from 150mm to 240mm.

Compact

With a reduced body that enables installation even in WC with narrowest cisterns.



SANITARY MACERATORS CONCEALED INSTALLATION

CONCEALED INSTALLATION WITH SANITARY MACERATOR

New range of sanitary macerators and concealed cisterns, adapted to the latest market trends, silent, compact, concealable and powerful. They allow the installation of wall-hung toilets.

Exclusive casset system. The only one allowing easy maintenance without removing the toilet.

New design of the pumping unit allowing up to 6 m in vertical pump with a compact design.



WITH TEMPERED GLASS COVER



Model with 2 part frontal cover in tempered glass allow an easy casset register.

Available in 2 colours: black and white.



SANITARY MACERATOR TO BE CONCEALED



Sanitary macerator equipped with a non-return valve. Vertical outlet in 32 mm. With easy maintenance casset system. 470 W motor. Pumps up to 6 m in height or 62 m in horizontal. Silent.

▶ REPAIRING BALL VALVES

This novelty includes PVC ball valves with solvent socket couplings, designed with an extra length. The solution offers the possibility to replace Jimten ball valves even other brands easily and faster.



High performance materials and reliable design confers unique features.

▶ FLOOR DRAIN C-250 CLASS

Self-Cleaning
Great  flow rate

Grid in Cast Iron and body in PVC

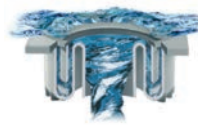
3 screws fixation

C-250 load resistance class (UNE-EN 124)

Hydrodynamic interior smooth design

Solvent male outlet in PVC

Dimensions: 224x224-Ø75 and 275x275-Ø110



S-246



▶ B125 CLASS COVERS AND GRIDS SISTEMA COLECTOR

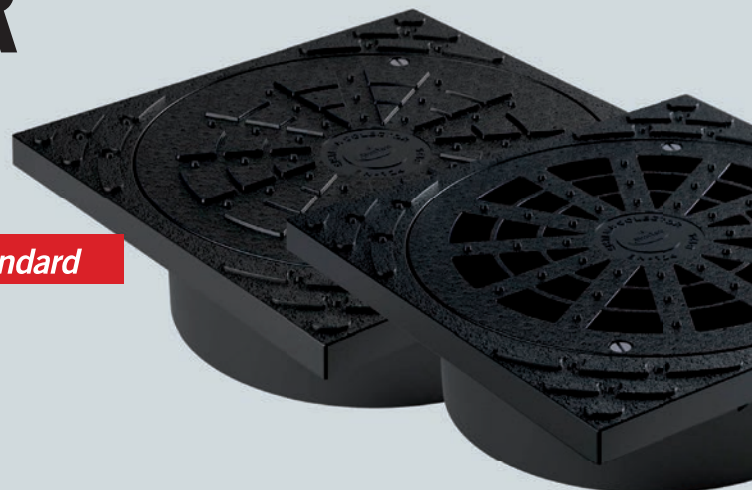
Made in UV resistant plastic

3 safety screws fixation

B-125 load resistant, according to UNE-EN 124 standard

*Dimensions: 320x320 (for Ø250 mm collector)
and 400x400 (for Ø315 collector)*

*Cover and grid versions (trap version
available with kit A-63)*



▶ PRETREATMENT INDUSTRY SOLUTIONS

FILTMASTER

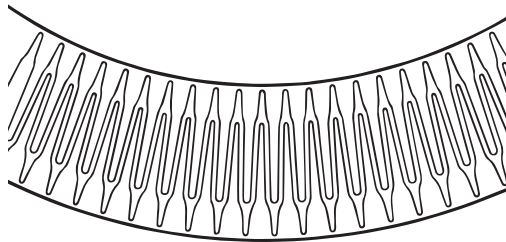


FILMASTER 20 micron discs

The new 20 micron disc has been designed to aim high performance results on water quality. The system allows to remove suspended solids organic and mineral on waste water with considerably decreasing on SDI (silt density index).

The benefits:

Saving costs associated with winding cartridge replacement as well reducing the average pressure differential across the stage.



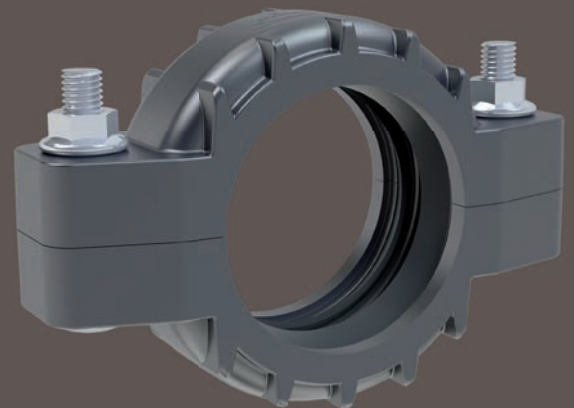
▶ FITMASTER COUPLINGS

For PVC and HDPE pipes

Fast and easy installation system

Long-lasting, resistant and flexible system

Complete range manufactured with technical thermoplastics



FITMASTER

**2", 2 ½", 3", 4", 6" and 8"
Fitmaster couplings**

Fitmaster is suitable for the connection of PVC and HDPE pipes. It guarantees the absorption of mechanical stress, the control of expansion and contraction of the system, the load capacity in pipe ends, the mitigation of vibrations and an easy alignment.

JIMTEN EXHIBITIONS 2019

JIMTEN will attend to the most representative European exhibitions. If you cannot attend those, you can find out our latest novelties in our Youtube channel.



EXHIBITION	PLACE	DATES
ISH	Frankfurt (Germany)	March, 11th-15th

Follow us on **You Tube** : www.youtube.com/user/jimtenmarketing

jimten, SA

Ctra. de Ocaña, 125. C.P. 03114

P.O. Box 5285. C.P. 03080

[t] +34 965 109 044

[f] +34 965 115 082

Alicante (Spain)



jimten.com

[t] +34 965 108 053

[e] comercial@jimten.com



Empresa registrada según norma



an *Aliaxis* company