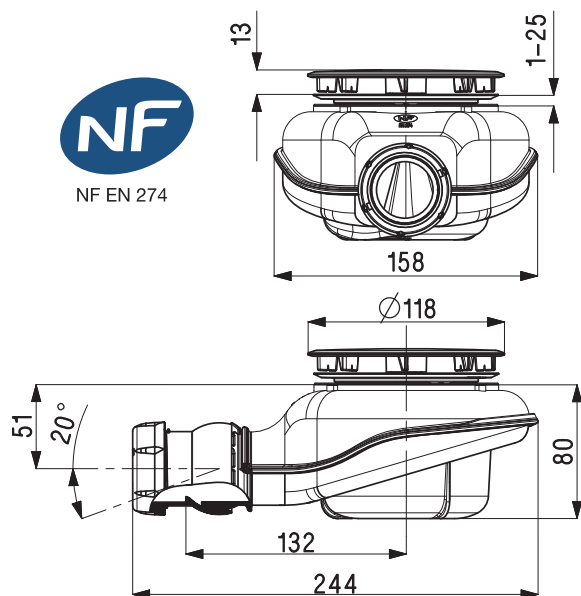


## Product sizes



New shower tray waste outlet.  
High flow rate.



High flow rate. 43 l/min.

JUNTAFIX system

Fast installation

Orientable outlet, with joint and/or to glue

EN274 certified product

## Know our product range

Visit [www.jimten.com](http://www.jimten.com) to learn how it is installed, know all our novelties and choose from the product range.



4695112-14 ©JIMTEN 3M

**jimten, s.a**

CTRA. DE OCAÑA, 125 C.P. 03114  
 ☎ 5285 C.P. 03080  
 ☎ + 34.965.10.90.44  
 ☎ Fax. + 34.965.11.50.82  
 ALCANTE (ESPAÑA)

[www.jimten.com](http://www.jimten.com)

Company registered according to standards



ER-0084/1996



GA-1999/0156

an *Aliaxis* company



New shower tray waste outlet.  
High flow rate.



## Technical characteristics



Extra flat cover. In chromed ABS or chromed metal.



Synthetic screw for fast assembly

High resistance synthetic flange for shower trays up to 25 mm in thickness



Removable trap. Integrated hair filter.

**JUNTAFIX**  
Co-injected flat joint

Dual orientable outlet with joint or to glue Ø40H/Ø50M smooth pipes.

ONLY  
80 mm

Hi-flow rate  
43 l/min

Ø90 mm  
Shower tray  
waste outlet.



**S-820**

**JUNTAFIX**

Size	Ø Outlet	Code	Colour	U/	☒ n°
1 1/2 x 115	90	<b>12130</b>	Chromed ABS	10	A-9
1 1/2 x 115	90	<b>12280</b>	Chromed metal	10	A-9
<b>BAG</b>					
1 1/2 x 115	90	<b>B12130</b>	Chromed ABS	10	A-9

For shower trays up to 25 mm in thickness, with removable trap and integrated hair filter. Fast assembly with central screw and synthetic flange. With co-injection flat joints. Dual orientable outlet with joint or to glue Ø40 mm.

Ø90 mm  
Shower tray  
waste outlet.



**S-820**

**JUNTAFIX**

Size	Ø Outlet	Code	Colour	U/	☒ n°
1 1/2 x 115	90	<b>12290</b>	Chromed ABS	10	A-9
1 1/2 x 115	90	<b>12300</b>	Chromed metal	10	A-9
<b>BAG</b>					
1 1/2 x 115	90	<b>B12290</b>	Chromed ABS	10	A-9

For shower trays up to 25 mm in thickness, with removable trap and integrated hair filter. Fast assembly with central screw and synthetic flange. With co-injection flat joints. Dual orientable outlet with joint or to glue Ø40H/Ø50M smooth pipes.